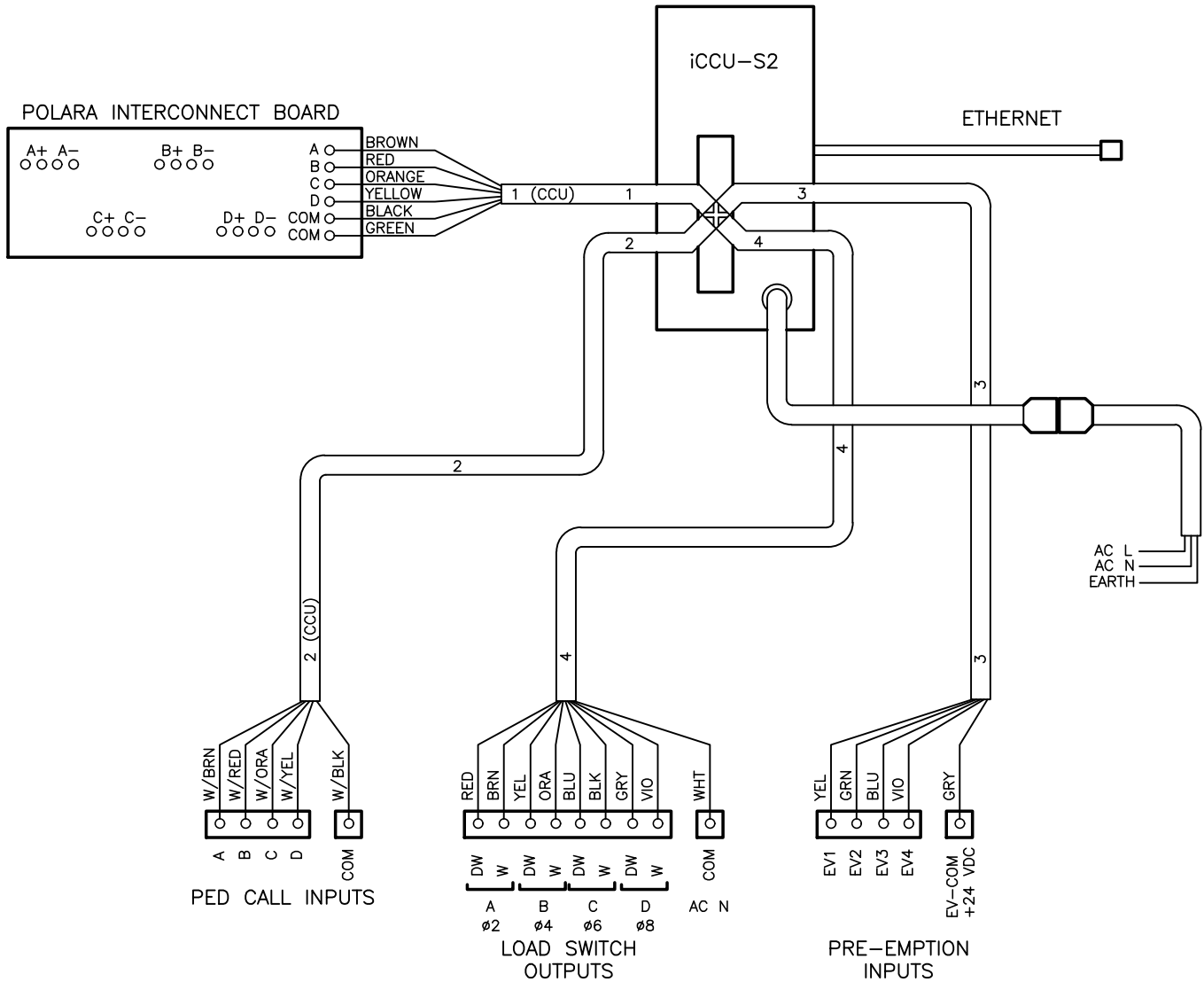


I:\CITYAPPS\AUTOCAD\STD_DETAILS\DRAWING_FILES\T20-47.DWG



POLARA APS NAVIGATOR INTERCONNECT BOARD AND WIRING HARNESS



CITY OF VANCOUVER
 DEPARTMENT OF PUBLIC WORKS
 TRANSPORTATION DIVISION

DRAWN BY	APPROVED BY	APPROVAL DATE
CDC		1/15
REVISION	APPROVED BY	APPROVAL DATE
4		3/24

STD. PLAN NO.

T20-47