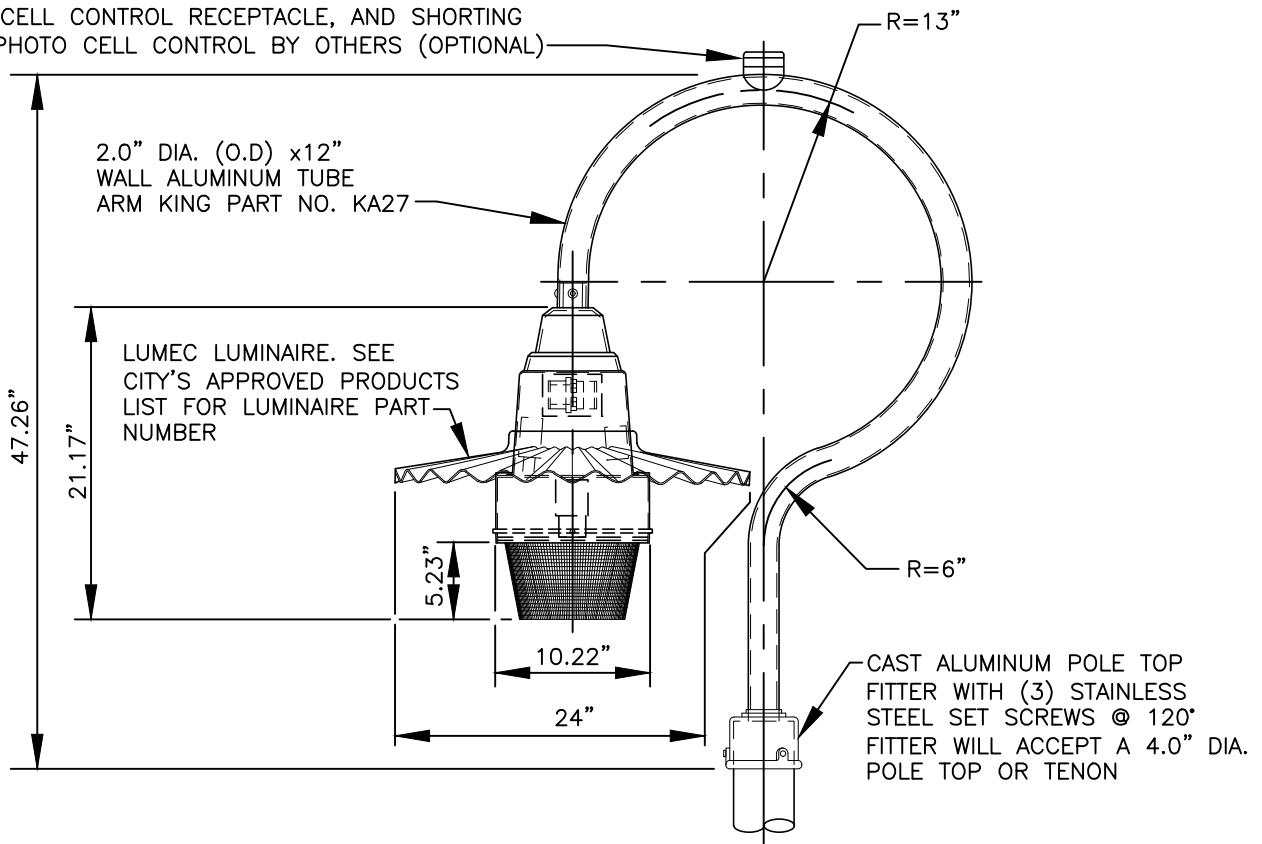
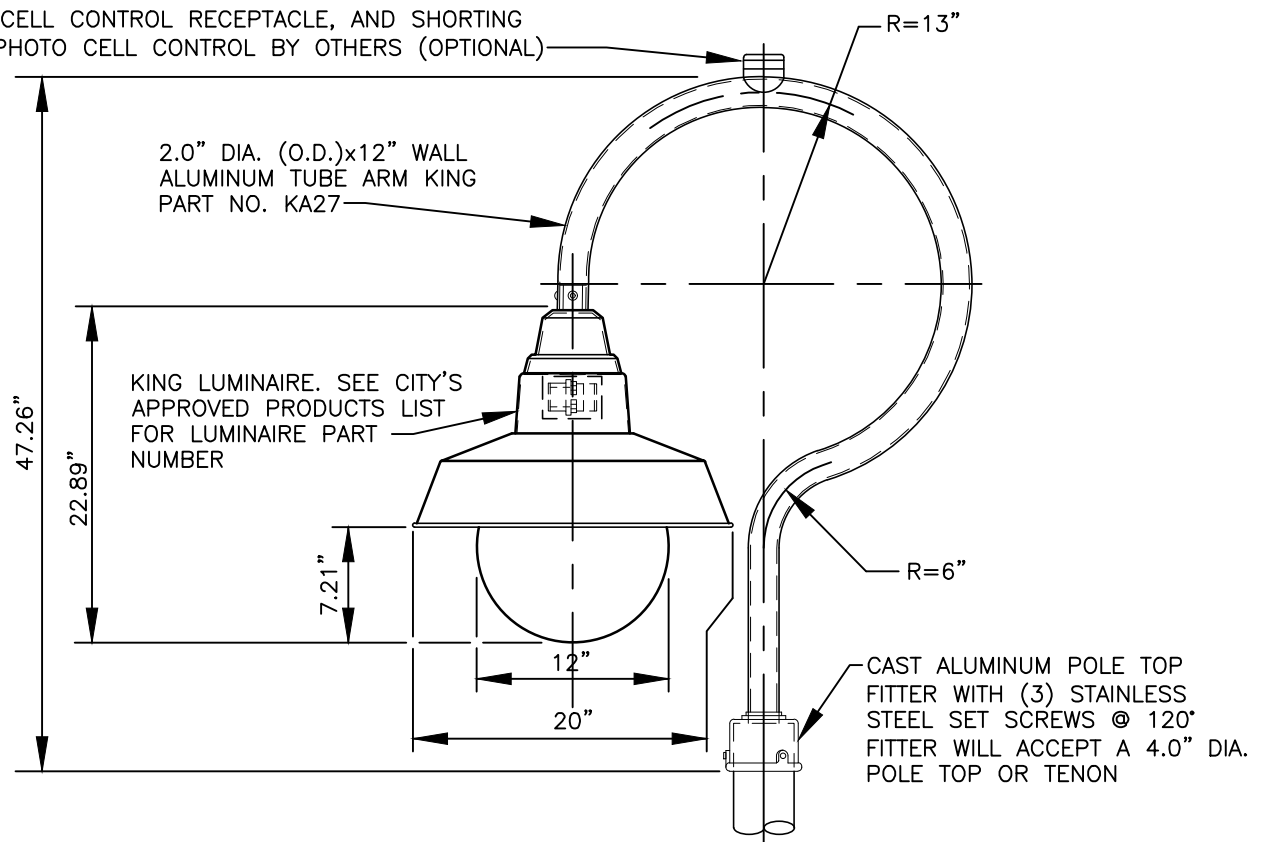


PHOTO CELL CONTROL RECEPTACLE, AND SHORTING CAP. PHOTO CELL CONTROL BY OTHERS (OPTIONAL)



TYPE P AND TYPE R LIGHTING FIXTURE

PHOTO CELL CONTROL RECEPTACLE, AND SHORTING CAP. PHOTO CELL CONTROL BY OTHERS (OPTIONAL)



TYPE O LIGHTING FIXTURE

SHEPHERDS HOOK DETAIL FOR TYPE "O", TYPE "P", AND TYPE "R" STREET LIGHTING STANDARD



CITY OF VANCOUVER
DEPARTMENT OF PUBLIC WORKS
TRANSPORTATION DIVISION

DRAWN BY	APPROVED BY	APPROVAL DATE
CDC		8/04
REVISION	APPROVED BY	APPROVAL DATE
7		3/24

STD. PLAN NO.

T21-13