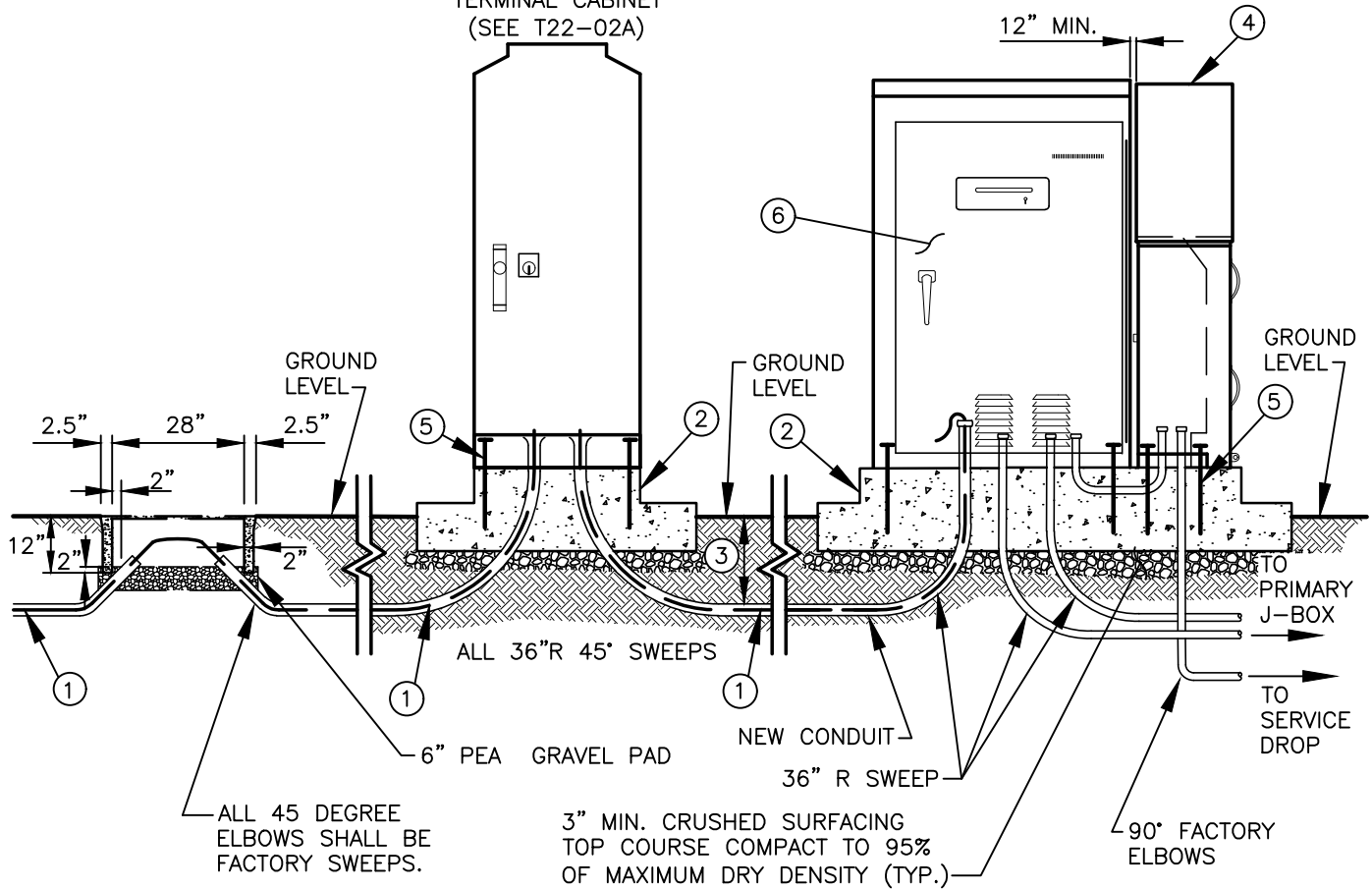


**TOP VIEW JUNCTION BOX**

**TOP VIEW F.O.T.C.**

**TOP VIEW SERVICE CABINET**

FIBER OPTIC  
TERMINAL CABINET  
(SEE T22-02A)



**NOTE:**

- ① PVC INTERCONNECT CONDUIT WITH DETECTABLE MULE TAPE. (SEE PLANS AND SPECIFICATIONS).
- ② SEE STANDARD PLAN T20-38E AND STANDARD SPECIFICATIONS FOR FOUNDATION AND PAD DEPTH AND SIZE.
- ③ SEE STANDARD SPECIFICATIONS FOR DEPTH.
- ④ LOCATE SERVICE PEDESTAL SIDE ADJACENT TO CONTROLLER CABINET OR MOVE MORE THAN 20' AWAY. HANDLES SHALL POINT OUTWARD. METER OPENING SHALL FACE STREET.
- ⑤ MOUNTING BOLTS INSIDE CABINET. NUTS, BOLTS AND SCREWS WILL NOT BE VISIBLE FROM OUTSIDE OF ENCLOSURE.
- ⑥ SERVICE CABINET DOOR.

I:\CITYAPPS\AUTOCAD\STD\_DETAILS\DRAWING\_FILES\T22-01.DWG



**TYPICAL INTERCONNECT CONDUIT AND CABLE INSTALLATION**

CITY OF VANCOUVER  
DEPARTMENT OF PUBLIC WORKS  
TRANSPORTATION DIVISION

DRAWN BY	APPROVED BY	APPROVAL DATE
CDC	<i>[Signature]</i>	8/04
REVISION	APPROVED BY	APPROVAL DATE
7	<i>[Signature]</i>	3/24

STD. PLAN NO.

**T22-01**