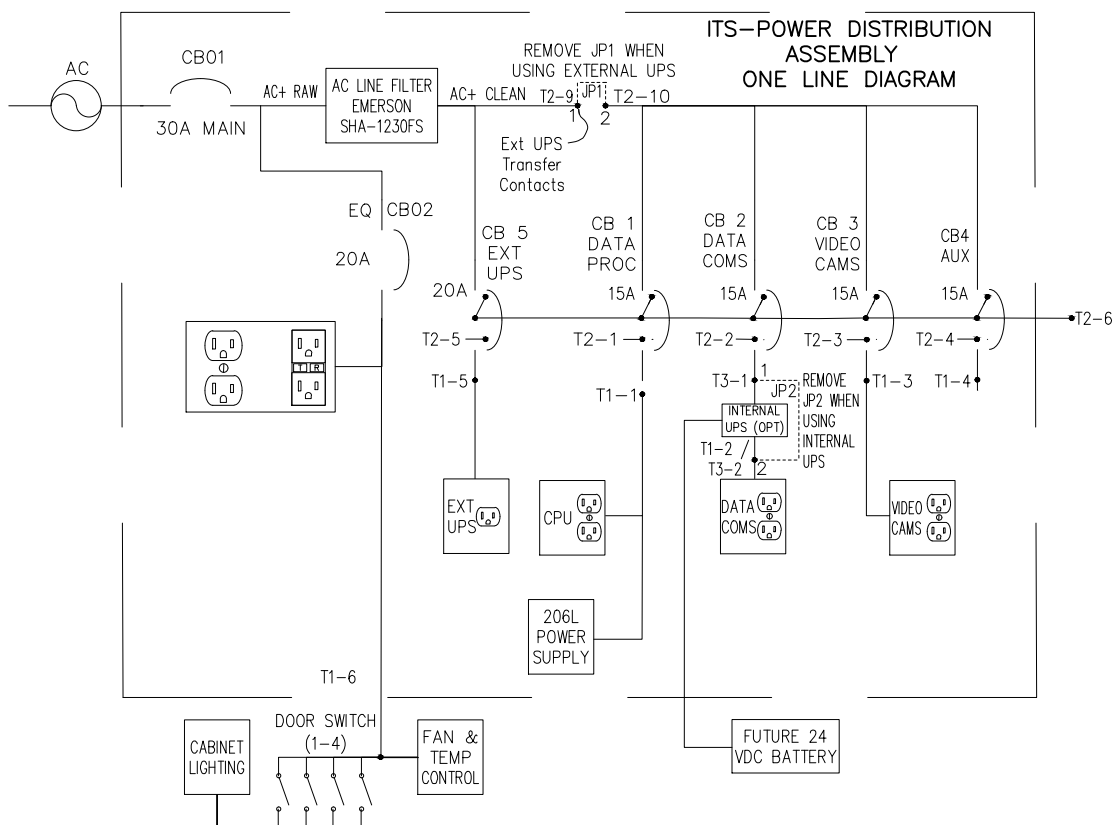
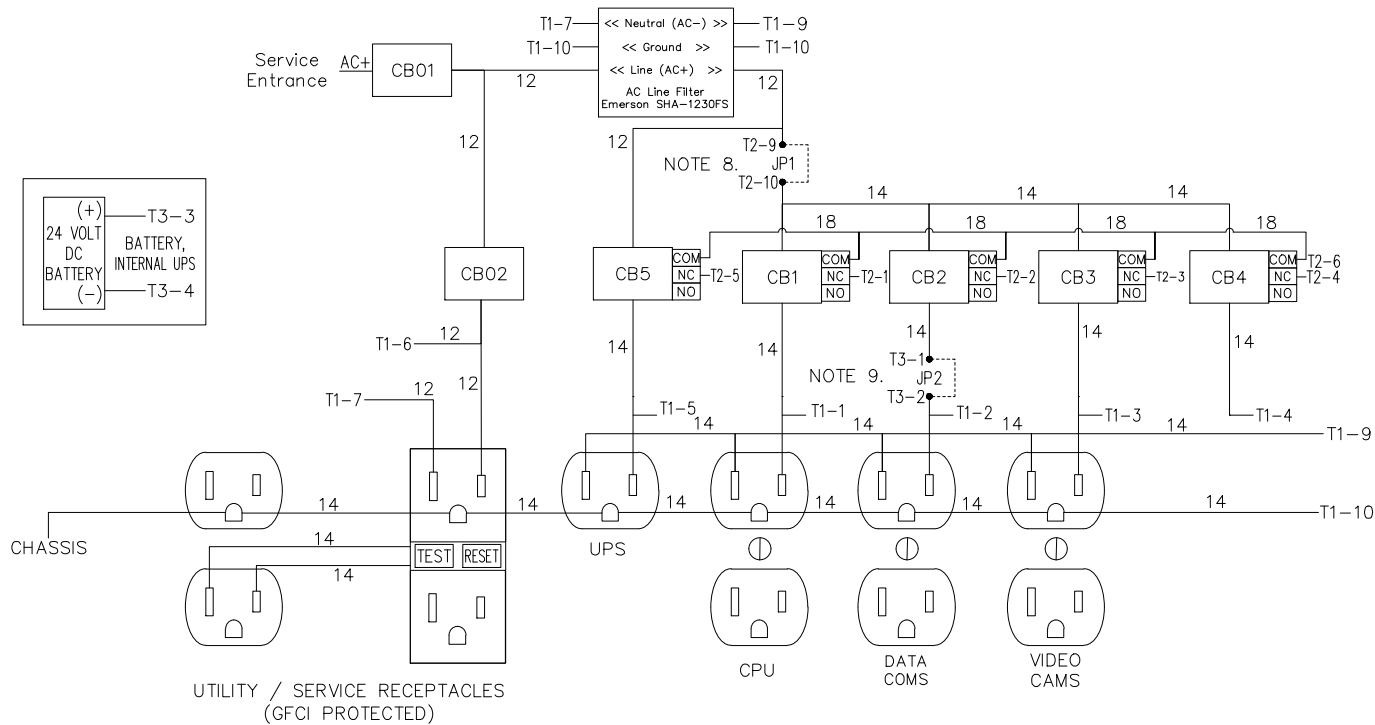


I:\CITYAPPS\AUTOCAD\STD_DETAILS\DRAWING_FILES\T22-02D.DWG



NOTES:

1. SEE DETAIL **T22-02A** FOR 334 COMMUNICATIONS CABINET INTERIOR DETAIL.
2. SEE DETAIL **T22-02B** FOR 334 COMMUNICATIONS ITS - POWER DISTRIBUTION ASSEMBLY.
3. SEE DETAIL **T22-02C** FOR 334 COMMUNICATIONS WIRING NOTES.

	TYPICAL 334 COMMUNICATIONS WIRING SCHEMATICS			STD. PLAN NO.											
	CITY OF VANCOUVER DEPARTMENT OF PUBLIC WORKS TRANSPORTATION DIVISION			<table border="1"> <tr> <td>DRAWN BY</td> <td>APPROVED BY</td> <td>APPROVAL DATE</td> </tr> <tr> <td>CDC</td> <td></td> <td>3/22</td> </tr> <tr> <td>REVISION</td> <td>APPROVED BY</td> <td>APPROVAL DATE</td> </tr> <tr> <td>2</td> <td></td> <td>3/24</td> </tr> </table>	DRAWN BY	APPROVED BY	APPROVAL DATE	CDC		3/22	REVISION	APPROVED BY	APPROVAL DATE	2	
DRAWN BY	APPROVED BY	APPROVAL DATE													
CDC		3/22													
REVISION	APPROVED BY	APPROVAL DATE													
2		3/24													
				T22-02D											