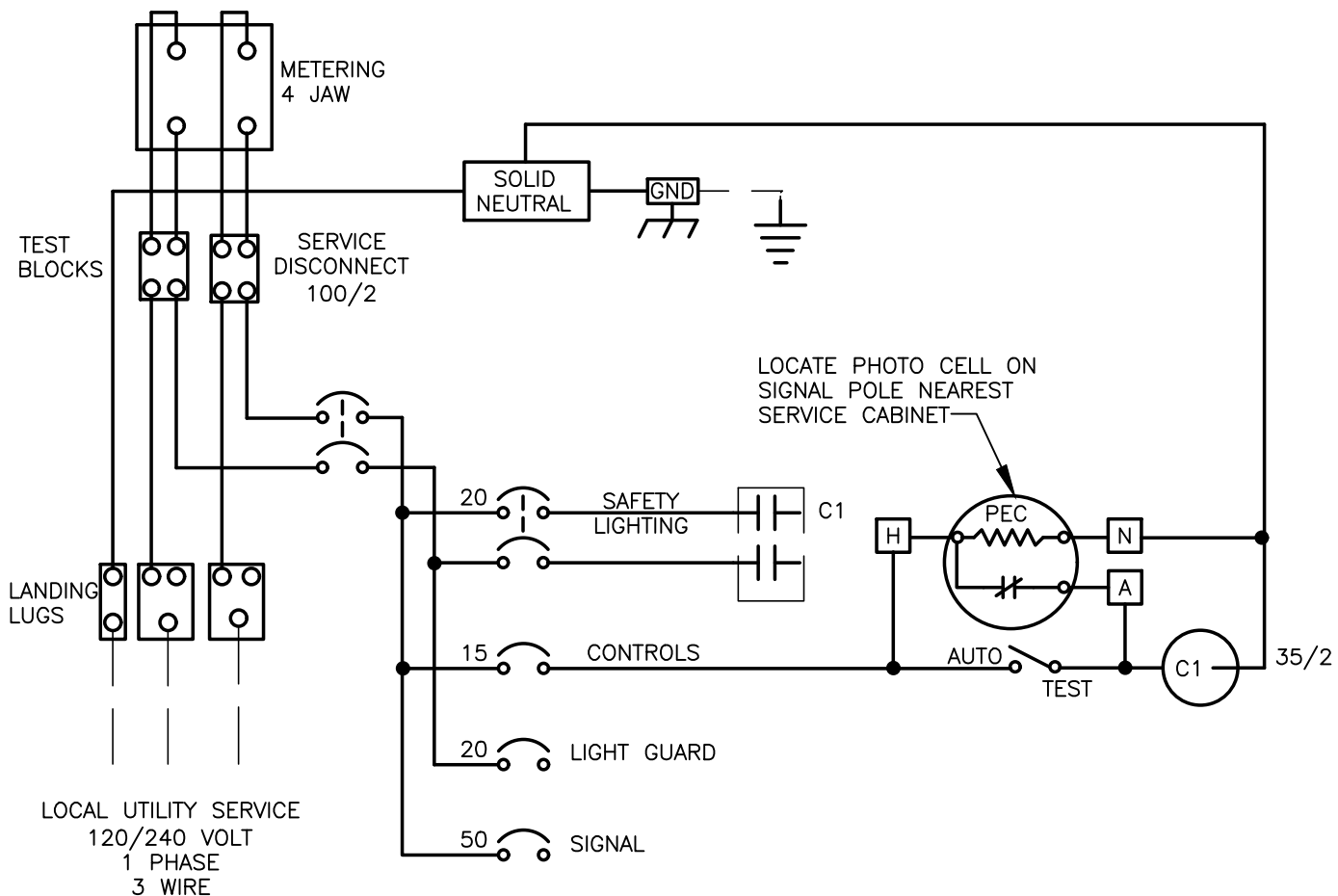


I:\CITYAPPS\AUTOCAD\STD_DETAILS\DRAWING_FILES\T23-01B.DWG



NOTE:

SEE DETAIL **T23-01A** FOR CROSSWALK ENCLOSURE ELECTRICAL CABINET DETAIL.



CABINET DETAIL FOR PEDESTRIAN CROSSING WIRING DIAGRAM

CITY OF VANCOUVER
DEPARTMENT OF PUBLIC WORKS
TRANSPORTATION DIVISION

DRAWN BY	APPROVED BY	APPROVAL DATE
CDC		8/04
REVISION	APPROVED BY	APPROVAL DATE
7		3/24

STD. PLAN NO.
T23-01B