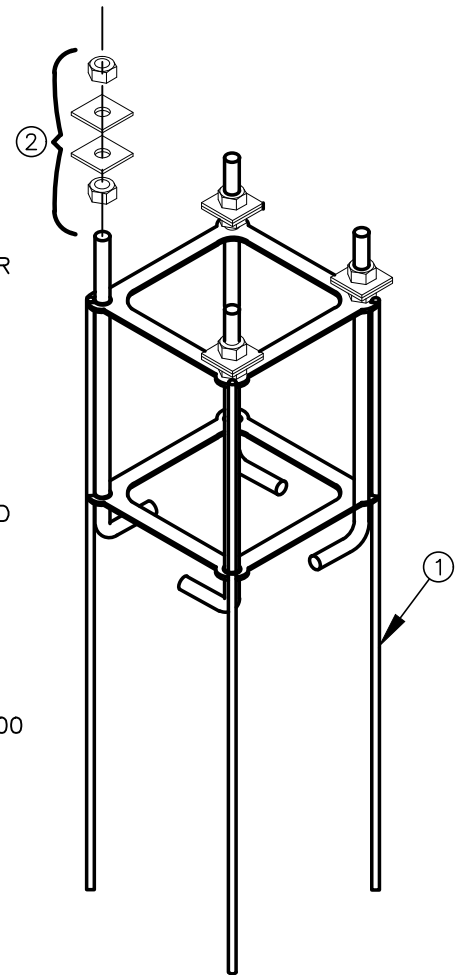


FOUNDATION DETAIL



ANCHOR BOLT CAGE DETAIL

NOTES:

- ① ANCHOR BOLT CAGE, WITH 3/4" - 10 BOLTS x 18", 36" REBAR, 13" BOLT CIRCLE STEEL, GALVANIZED.
- ② HARDWARE KIT, ANCHOR BOLT CAGE, 3/4" - 10NC WITH SQUARE WASHERS, STEEL, GALVANIZED.

I:\CITYAPPS\AUTOCAD\STD_DETAILS\DRAWING_FILES\T23-02B.DWG



RECTANGULAR RAPID FLASHING BEACON (RRFB) FOUNDATION DETAIL

CITY OF VANCOUVER
DEPARTMENT OF PUBLIC WORKS
TRANSPORTATION DIVISION

DRAWN BY	APPROVED BY	APPROVAL DATE
CDC	<i>[Signature]</i>	1/15
REVISION	APPROVED BY	APPROVAL DATE
4	<i>[Signature]</i>	3/24

STD. PLAN NO.

T23-02B