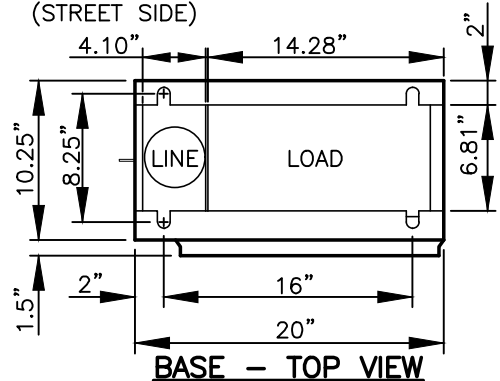


- NOTES:**
1. SEE SERVICE ENCLOSURE REQUIREMENTS ON STD. PLAN **T20-41**.
  2. SEE WIRING DIAGRAM ON STD. PLAN **T23-02D**.
  3. IF SERVICE CABINET IS INSTALLED ADJACENT TO CONTROLLER CABINET, SEE STD. PLAN **T20-38E** FOR PLACEMENT.
  4. PLACE A SILICONE SEAL BETWEEN THE FOUNDATION AND THE CABINET.
  5. ENCLOSURE SHALL BE TESCO CLASS 27-000M.
  6. ALUMINUM CONDUCTORS NOT ALLOWED.



**RECTANGULAR RAPID FLASHING BEACON (RRFB) SERVICE CABINET**



CITY OF VANCOUVER  
DEPARTMENT OF PUBLIC WORKS  
TRANSPORTATION DIVISION

DRAWN BY	APPROVED BY	APPROVAL DATE
CDC		1/15
REVISION	APPROVED BY	APPROVAL DATE
6		3/24

STD. PLAN NO.  
**T23-02C**

I:\CITYAPPS\AUTOCAD\STD\_DETAILS\DRAWING\_FILES\T23-02C.DWG