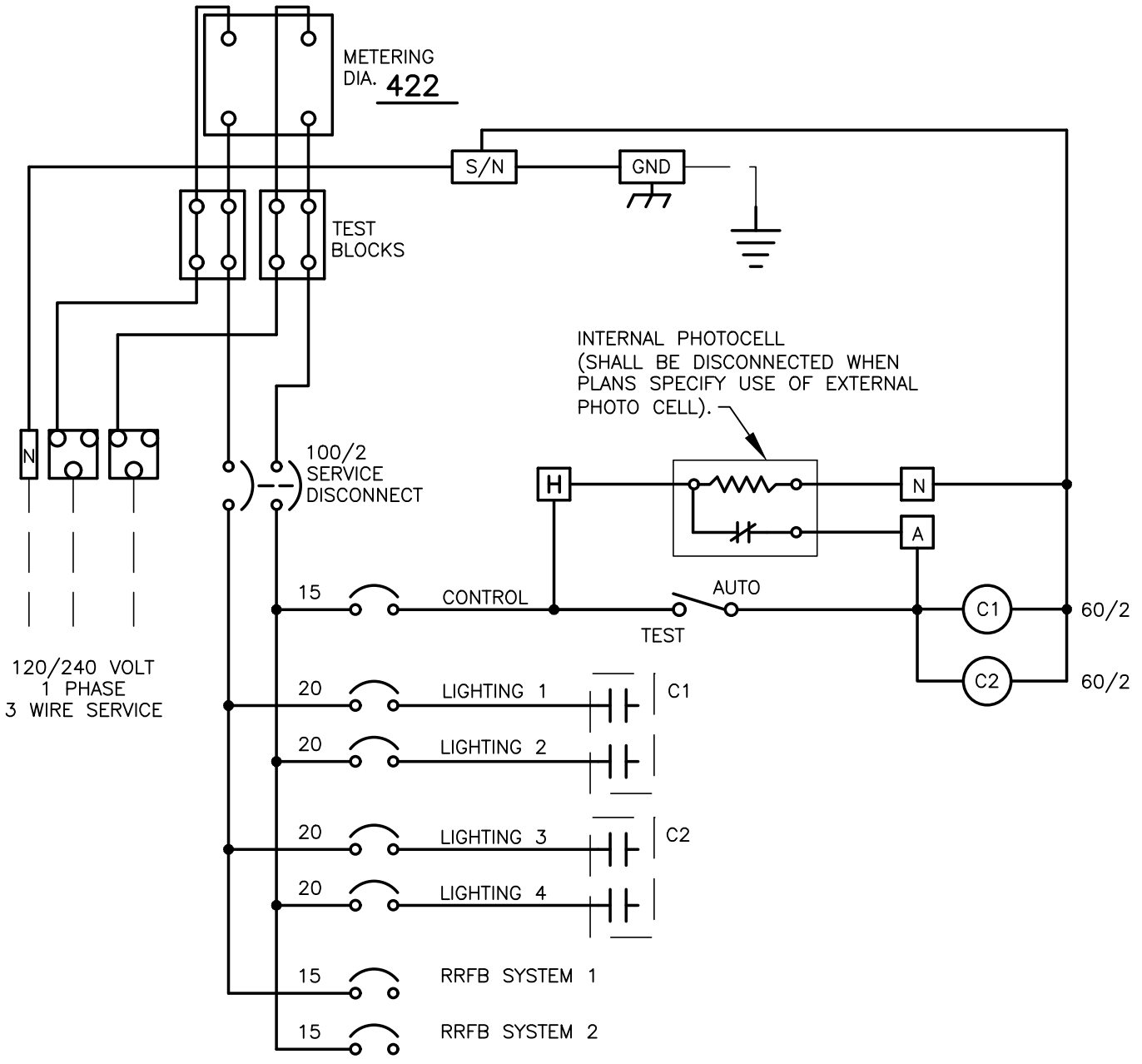


I:\CITYAPPS\AUTOCAD\STD_DETAILS\DRAWING_FILES\T23-02D.DWG



NOTE:

1. SEE STANDARD PLAN **T23-02C** FOR RECTANGULAR RAPID FLASHING BEACON SERVICE CABINET DETAIL.
2. TO INCLUDE TWO 15A CIRCUITS FOR RRFB SYSTEM(S) IN ADDITION TO LIGHTING CONTACTORS.
3. ALUMINUM CONDUCTORS NOT ALLOWED.



RECTANGULAR RAPID FLASHING BEACON (RRFB) SERVICE CABINET WIRING DIAGRAM

CITY OF VANCOUVER
DEPARTMENT OF PUBLIC WORKS
TRANSPORTATION DIVISION

DRAWN BY	APPROVED BY	APPROVAL DATE
CDC		1/15
REVISION	APPROVED BY	APPROVAL DATE
4		3/24

STD. PLAN NO.

T23-02D