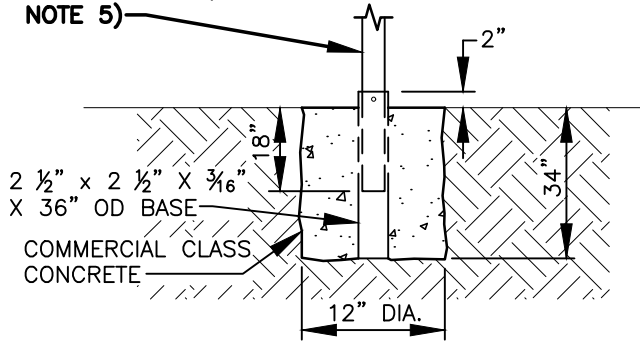
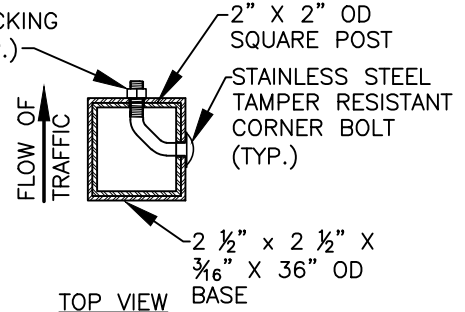


2" X 2" OD BREAKAWAY SQUARE POST (SEE NOTE 5)

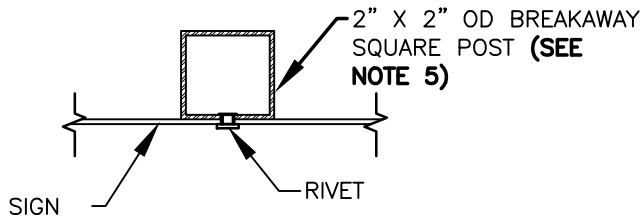


ANCHOR INSTALLATION DETAIL

SELF LOCKING NUT (TYP.)



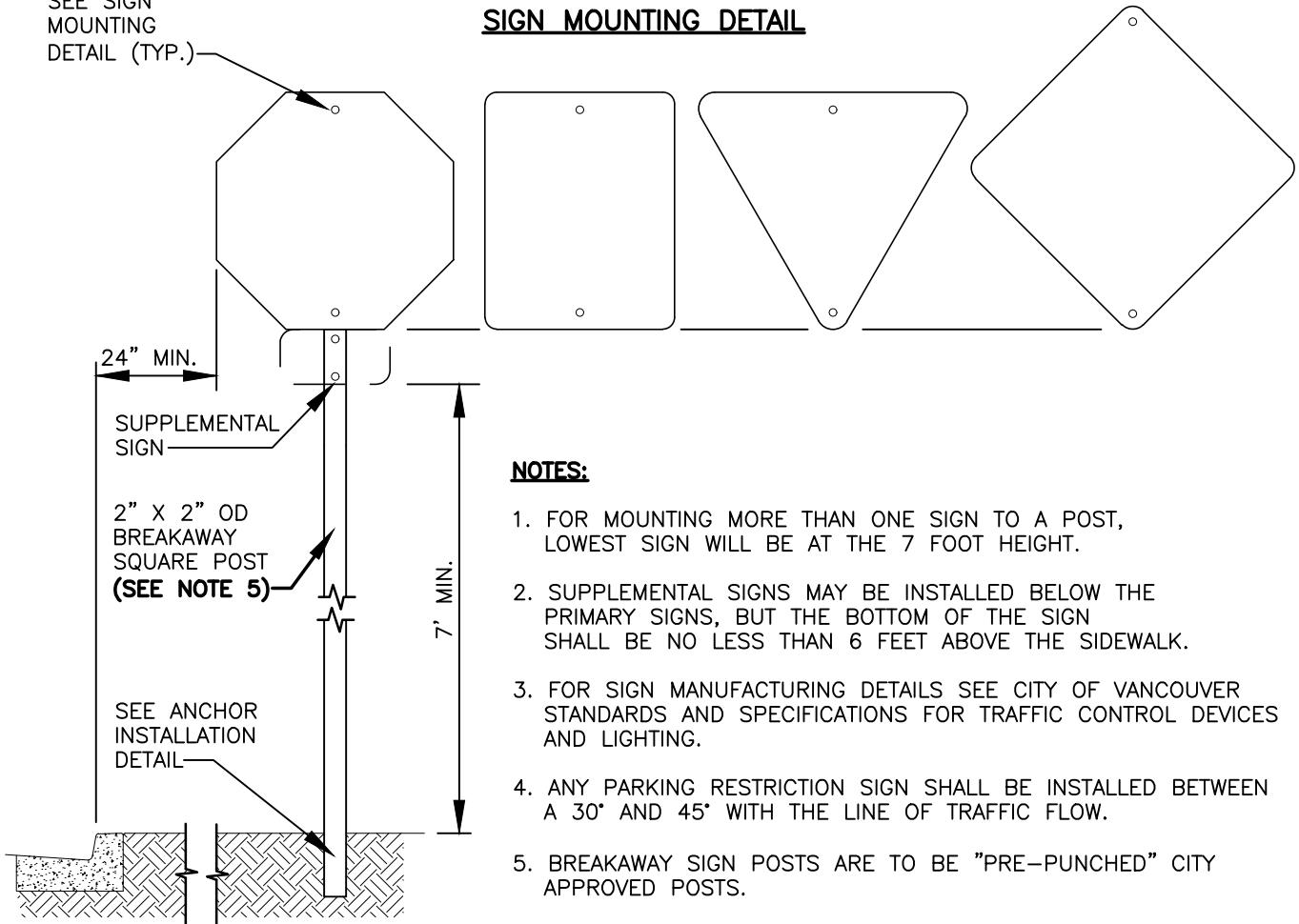
ANCHOR DETAIL



TOP VIEW

SIGN MOUNTING DETAIL

SEE SIGN MOUNTING DETAIL (TYP.)



NOTES:

1. FOR MOUNTING MORE THAN ONE SIGN TO A POST, LOWEST SIGN WILL BE AT THE 7 FOOT HEIGHT.
2. SUPPLEMENTAL SIGNS MAY BE INSTALLED BELOW THE PRIMARY SIGNS, BUT THE BOTTOM OF THE SIGN SHALL BE NO LESS THAN 6 FEET ABOVE THE SIDEWALK.
3. FOR SIGN MANUFACTURING DETAILS SEE CITY OF VANCOUVER STANDARDS AND SPECIFICATIONS FOR TRAFFIC CONTROL DEVICES AND LIGHTING.
4. ANY PARKING RESTRICTION SIGN SHALL BE INSTALLED BETWEEN A 30° AND 45° WITH THE LINE OF TRAFFIC FLOW.
5. BREAKAWAY SIGN POSTS ARE TO BE "PRE-PUNCHED" CITY APPROVED POSTS.

I:\CITYAPPS\AUTOCAD\STD_DETAILS\DRAWING_FILES\T29-02.DWG



CITY OF VANCOUVER
DEPARTMENT OF PUBLIC WORKS
TRANSPORTATION DIVISION

GROUND MOUNTED SIGN DETAILS

DRAWN BY	APPROVED BY	APPROVAL DATE
CDC	<i>[Signature]</i>	8/04
REVISION	APPROVED BY	APPROVAL DATE
7	<i>[Signature]</i>	3/24

STD. PLAN NO.

T29-02