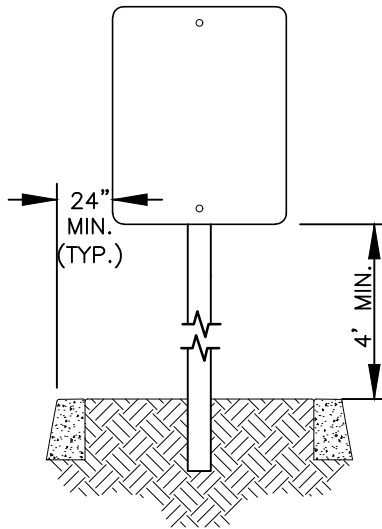
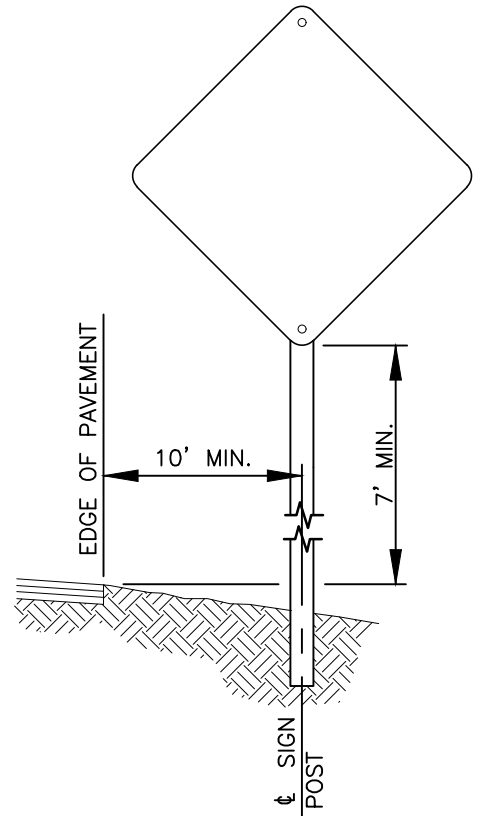


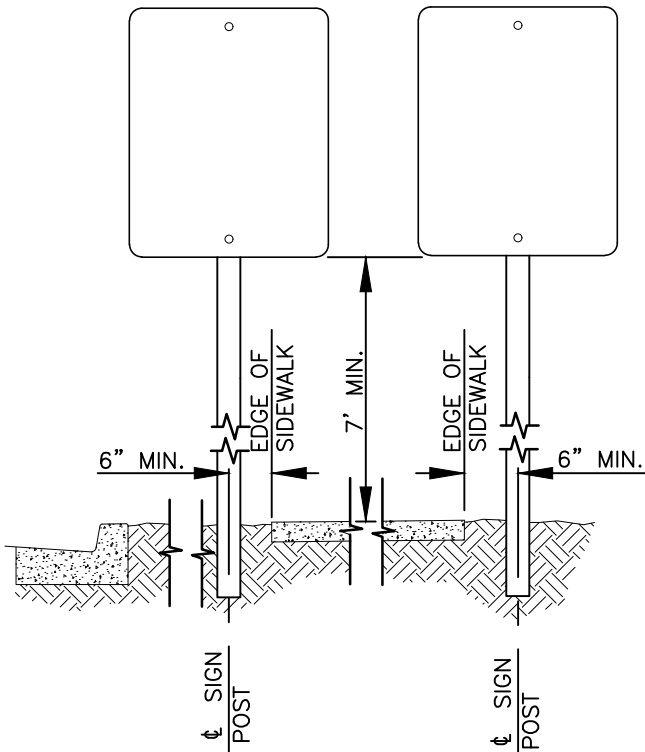
SIGN LOCATION BY CURB



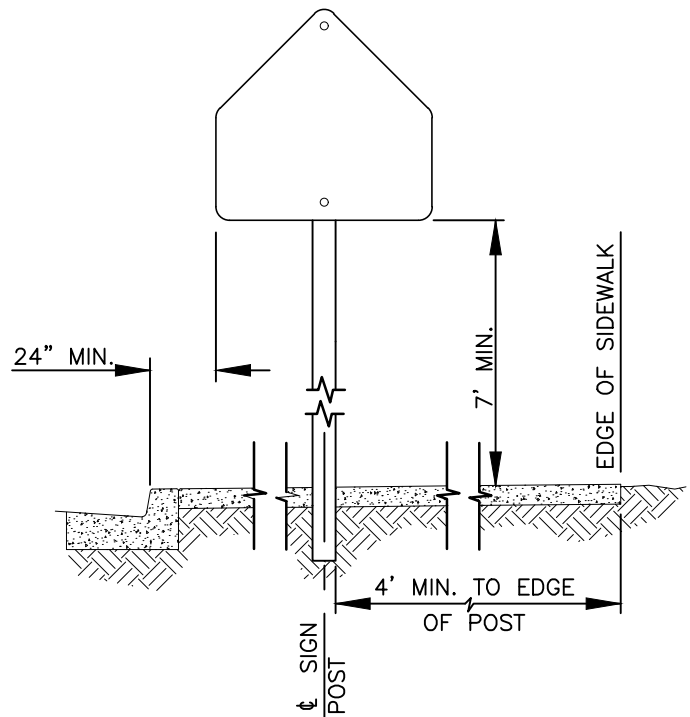
SIGN LOCATION IN MEDIAN
(SEE DETAIL T02-17 FOR PLACEMENT)



SIGN LOCATION EDGE OF PAVEMENT



SIGN LOCATION OUTSIDE OF SIDEWALK



SIGN LOCATION IN SIDEWALK

I:\CITYAPPS\AUTOCAD\STD_DETAILS\DRAWING_FILES\T29-03.DWG



CITY OF VANCOUVER
DEPARTMENT OF PUBLIC WORKS
TRANSPORTATION DIVISION

SIGN LOCATION DETAILS

DRAWN BY	APPROVED BY	APPROVAL DATE
CDC		8/04
REVISION	APPROVED BY	APPROVAL DATE
7		3/24

STD. PLAN NO.

T29-03