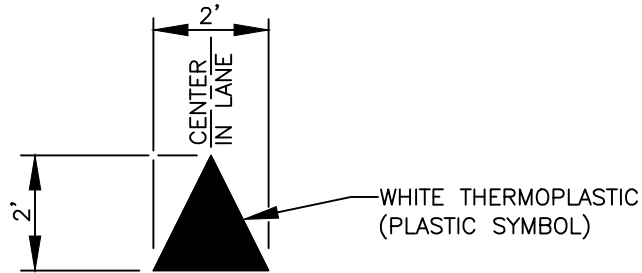
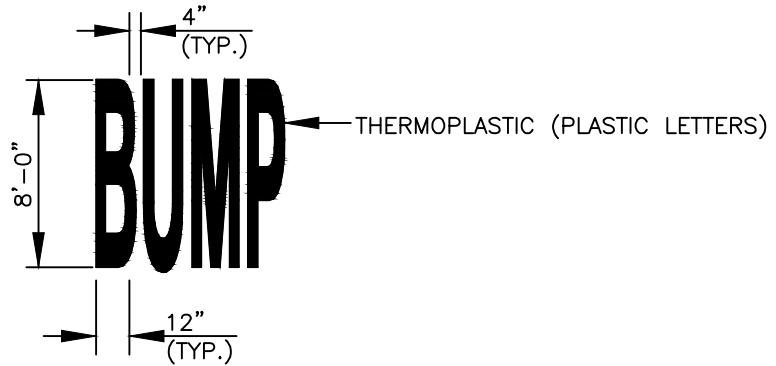


TSB TRIANGLE SPEED BUMP LEGEND

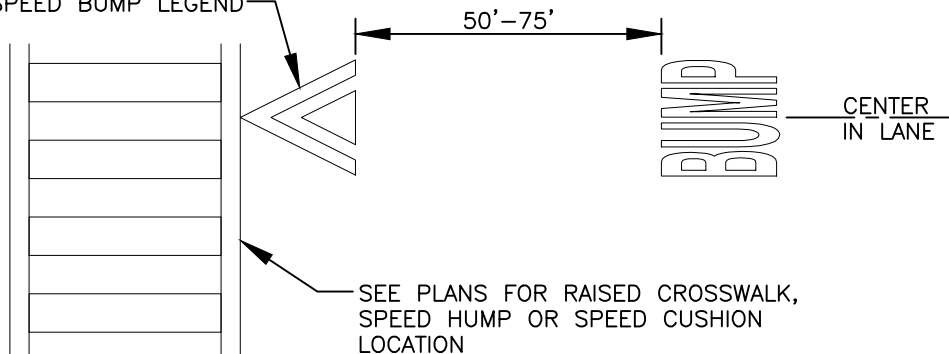


BTS BIKE LANE TRIANGLE SPEED BUMP LEGEND



B BUMP LEGEND

SEE TRIANGLE SPEED BUMP LEGEND



BUMP LEGEND AT RAISED CROSSWALK

GENERAL NOTE:

1. SEE WSDOT STANDARD PLAN **SYMBOL MARKINGS M-24.60-xx** AND **TRAFFIC LETTERS AND NUMERALS (LOW SPEED ROADWAYS) M-80.30-xx** FOR ADDITIONAL INFORMATION.



TRIANGLE SPEED BUMP LEGEND AND BUMP LEGEND AT RAISED CROSSWALK

CITY OF VANCOUVER
DEPARTMENT OF PUBLIC WORKS
TRANSPORTATION DIVISION

DRAWN BY	APPROVED BY	APPROVAL DATE
CDC		8/04
REVISION	APPROVED BY	APPROVAL DATE
7		3/24

STD. PLAN NO.

T29-42