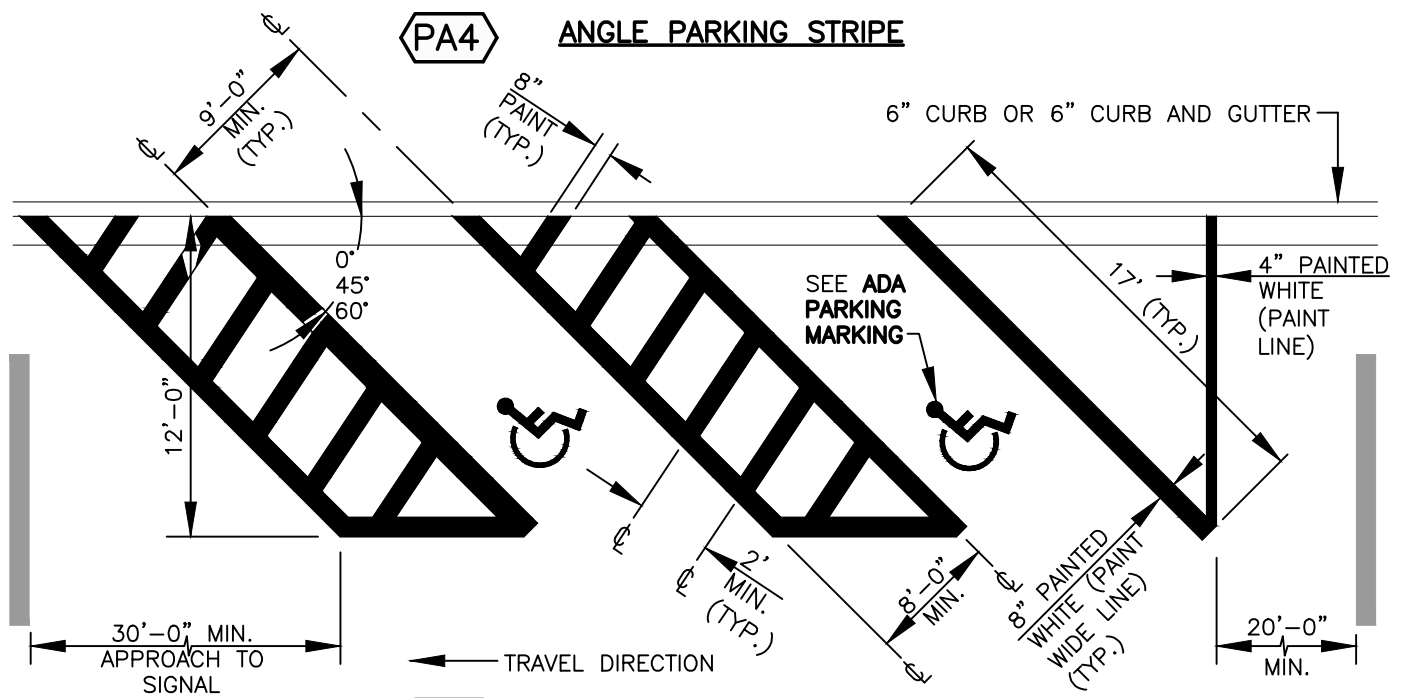
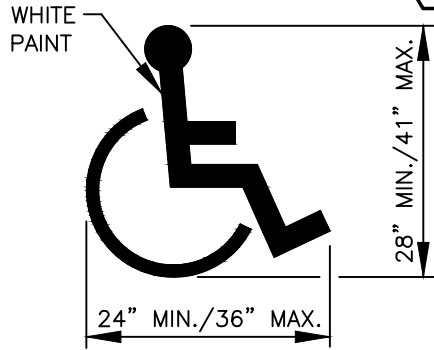


TRAVEL DIRECTION  
**PA4 ANGLE PARKING STRIPE**



TRAVEL DIRECTION  
**PA8 ADA ANGLE PARKING STRIPE**



**ADA PARKING MARKING PAM**

**NOTES:**

1. SEE THE MILLENNIUM EDITION OF MUTCD, **SECTION 3B.18** AND **FIGURE 3B-18** FOR ADDITIONAL PARKING SPACE MARKING INFORMATION.
2. SEE **VMC TABLE 20.945.040-2** FOR ADDITIONAL DIMENSIONS INFORMATION.
3. SEE WSDOT STANDARD PLAN **PARKING SPACE LAYOUTS M-17.10-xx** FOR ADDITIONAL INFORMATION.
3. SEE WSDOT STANDARD PLAN **SYMBOL MARKINGS MISCELLANEOUS M-24.60-xx** FOR ADDITIONAL INFORMATION.

I:\CITYAPPS\AUTOCAD\STD\_DETAILS\DRAWING\_FILES\T29-51.DWG



**ON-STREET AND PARKING FACILITY ANGLE PARKING STALL MARKINGS**

CITY OF VANCOUVER  
 DEPARTMENT OF PUBLIC WORKS  
 TRANSPORTATION DIVISION

DRAWN BY	APPROVED BY	APPROVAL DATE
CDC		8/04
REVISION	APPROVED BY	APPROVAL DATE
7		3/24

STD. PLAN NO.  
**T29-51**