

GENERAL EROSION PREVENTION & SEDIMENT CONTROL NOTES

1. ALL EROSION AND SEDIMENT CONTROL MEASURES SHALL BE IN PLACE AND IN WORKING CONDITION PRIOR TO ANY LAND DISTURBING ACTIVITY INCLUDING CLEARING OR GRADING. EROSION AND SEDIMENT CONTROL MEASURES SHALL BE APPROVED BY THE CITY EROSION SPECIALIST PRIOR TO THE COMMENCEMENT OF WORK. AN ON-SITE INSPECTION SHALL BE REQUESTED WHEN EROSION AND SEDIMENT CONTROL MEASURES ARE IN PLACE AND PRIOR TO COMMENCEMENT OF WORK. ONCE APPROVED, THE SITE MUST BE MAINTAINED THROUGH THE LIFE OF THE PROJECT, AS SHOWN ON THE PLANS. ADDITIONAL MEASURES MAY BE REQUIRED TO MEET THE PROVISIONS OF THE CITY EROSION PREVENTION AND SEDIMENT CONTROL ORDINANCE VMC 14.24.
2. EROSION AND SEDIMENT CONTROL BMPS SHALL BE SITED, DESIGNED AND CONSTRUCTED IN ACCORDANCE WITH THE REQUIREMENTS IN THE CITY OF VANCOUVER'S LATEST VERSION OF GENERAL REQUIREMENTS AND STANDARD DETAILS MANUAL AND THE WASHINGTON STATE DEPARTMENT OF ECOLOGY STORMWATER MANAGEMENT MANUAL FOR WESTERN WASHINGTON, WHERE THE CITY OF VANCOUVER GENERAL REQUIREMENTS SHALL TAKE PRECEDENCE.
3. THE DEVELOPER AND/OR OWNER IS RESPONSIBLE FOR MAINTAINING EROSION PREVENTION AND SEDIMENT CONTROL BMPS DURING AND AFTER ALL WORK.
4. PRIOR TO ANY SITE EXCAVATION, ALL STORM DRAIN INLETS SHALL BE PROTECTED DOWN SLOPE FROM ANY DISTURBED OR CONSTRUCTION AREAS PER STANDARD DETAIL E-2.20 TO PREVENT SEDIMENT FROM ENTERING THE STORM DRAINAGE SYSTEM PRIOR TO PERMANENT STABILIZATION OF THE DISTURBED AREAS. CLEAN INLET FILTER AS NECESSARY TO MAINTAIN DRAINAGE. REMOVE FILTER AND CLEAN CATCH BASINS FOLLOWING COMPLETION OF SITE WORK. BIOBAGS ARE NOT ALLOWED.
5. NEWLY CONSTRUCTED OR MODIFIED INLETS AND CATCH BASINS SHALL BE PROTECTED FROM SEDIMENT IMMEDIATELY UPON INSTALLATION.
6. THE CONTRACTOR SHALL NOT ALLOW SEDIMENT OR DEBRIS TO ENTER NEW OR EXISTING PIPES, CATCH BASINS OR INFILTRATION SYSTEMS. IF THIS OCCURS, THE CONTRACTOR SHALL REMOVE ALL ACCUMULATED SEDIMENT FROM THE CATCH BASINS, DRYWELLS, AND STORM PIPES IMMEDIATELY. FINAL ACCEPTANCE WILL NOT BE ISSUED BY THE CITY UNTIL THIS OCCURS.
7. PRIOR TO LEAVING A CONSTRUCTION SITE OR PRIOR TO DISCHARGING INTO AN INFILTRATION SYSTEM, SEDIMENT-LADEN WATER SHALL PASS THROUGH A SEDIMENT POND, TRAP, OR OTHER APPROVED BMP SYSTEM.
8. ALL EXPOSED AND UNWORKED SOILS SHALL BE STABILIZED BY THE APPROPRIATE BEST MANAGEMENT PRACTICES (BMPS). FROM OCTOBER 1 TO APRIL 30, NO SOILS SHALL BE EXPOSED AND UNWORKED FOR MORE THAN TWO (2) DAYS. FROM MAY 1 TO SEPTEMBER 30, NO SOILS SHALL BE EXPOSED AND UNWORKED FOR MORE THAN SEVEN (7) DAYS.
9. SOIL STOCKPILES SHALL BE STABILIZED FROM EROSION, PROTECTED WITH SEDIMENT TRAPPING MEASURES, AND WHEN POSSIBLE, BE LOCATED AWAY FROM STORM DRAIN INLETS, WATER WAYS AND DRAINAGE CHANNELS. STOCKPILES SHALL BE STABILIZED AT THE END OF EACH WORKDAY.
10. CONSTRUCTION ROADS AND PARKING AREAS SHALL BE STABILIZED WHEREVER THEY ARE CONSTRUCTED, WHETHER PERMANENT OR TEMPORARY, FOR THE USE OF CONSTRUCTION TRAFFIC.
11. IF THE BMPS APPLIED TO A SITE ARE INSUFFICIENT TO PREVENT SEDIMENT FROM REACHING WATER BODIES, ADJACENT PROPERTIES, STORM FACILITIES OR PUBLIC RIGHT-OF-WAY, THEN THE CITY SHALL REQUIRE ADDITIONAL BMPS.
12. IF THE CITY INSPECTOR OR ENGINEER(S) HAS EVIDENCE OF POOR CONSTRUCTION PRACTICES OR IMPROPER EROSION PREVENTION BMPS, CITATIONS AND /OR A STOP WORK ORDER SHALL BE ISSUED UNTIL PROPER MEASURES HAVE BEEN TAKEN AND APPROVED BY THE CITY OF VANCOUVER.

PROTECTION OF ADJACENT PROPERTIES, ROADS/STREETS AND PAVED SURFACES

13. PROVIDE A 12-INCH DEEP PAD OF CRUSHED ROCK FOR A DISTANCE OF 100 FEET INTO THE SITE FOR CONSTRUCTION EQUIPMENT AND TRUCK ACCESS TO SITE. PAD WIDTH SHALL BE A MINIMUM OF 20 FEET. ALL VEHICLES LEAVING THE SITE SHALL EGRESS ACROSS THE PAD. CONSTRUCTION VEHICLE ACCESS SHALL BE LIMITED TO ONE ROUTE UNLESS APPROVED BY THE DIRECTOR. ACCUMULATED SEDIMENT SHALL BE PERIODICALLY REMOVED, OR ADDITIONAL ROCK SHALL BE PLACED UPON THE PAD SURFACE. ROCK SHALL BE CLEAN 4-INCH TO 8-INCH QUARRY SPALLS. ALL MATERIALS SPILLED, DROPPED, WASHED OR TRACKED FROM VEHICLES ONTO ROADWAYS OR INTO STORM DRAINS SHALL BE REMOVED IMMEDIATELY. MECHANICAL BROOM SWEEPERS ARE NOT ALLOWED.
14. IF SEDIMENT, MUD OR DEBRIS IS TRANSPORTED ONTO A PAVED SURFACE OR ROADWAY, THE PAVED SURFACES SHALL BE THOROUGHLY CLEANED WITH HIGH EFFICIENCY STREET SWEEPERS AT THE END OF EACH WORKDAY, OR MORE OFTEN IF NECESSARY. PUBLICLY TRAVELED PAVED SURFACES NEED TO BE CLEANED IMMEDIATELY. SIGNIFICANT SOIL DEPOSITS SHALL BE REMOVED FROM ROADS BY SHOVELING AND SWEEPING. STREET WASHING IS NOT ALLOWED UNLESS APPROVED BY THE DIRECTOR AND ONLY AFTER SEDIMENT IS REMOVED IN THE MANNER DESCRIBED ABOVE. MECHANICAL BROOM SWEEPERS ARE NOT ALLOWED.
15. SLURRY AND CUTTINGS SHALL BE VACUUMED DURING CUTTING AND SURFACING OPERATIONS. COLLECTED SLURRY AND CUTTINGS SHALL BE DISPOSED OF IN A MANNER THAT DOES NOT VIOLATE GROUNDWATER OR SURFACE WATER QUALITY STANDARDS.
16. A WHEEL WASH MAY BE REQUIRED IF CONSTRUCTION ENTRANCE IS NOT SUFFICIENT IN PREVENTING SEDIMENT FROM BEING TRACKED ONTO PAVEMENT. WHEEL WASH SHALL BE PER STANDARD PLAN E-1.06 AND THE STORMWATER MANUAL.
17. INSTALL SEDIMENT FENCE PER STANDARD PLAN E-2.33 PRIOR TO BUILDING CONSTRUCTION AND/OR EXCAVATION TO PREVENT SILT INTRUSION UPON ADJACENT LOTS. IF CONSTRUCTION OCCURS SIMULTANEOUSLY ON ADJACENT LOTS AND THE LOTS HAVE THE SAME OWNER DURING CONSTRUCTION, THE SILT FENCE ALONG THE COMMON LOT LINE MAY BE ELIMINATED.



**EROSION PREVENTION & SEDIMENT CONTROL NOTES**

CITY OF VANCOUVER  
DEPARTMENT OF PUBLIC WORKS  
SURFACE WATER MANAGEMENT


| DRAWN BY | APPROVED BY | APPROVAL DATE |
|----------|-------------|---------------|
| MDH      | AR          | 02-2024       |
| REVISION | APPROVED BY | APPROVAL DATE |
| -        | -           | -             |

EROSION  
DETAIL NO.

**E-1.00a**

GENERAL EROSION PREVENTION & SEDIMENT CONTROL NOTES  
(CONTINUED)

18. PROVIDE PROTECTION FOR ALL STORM DRAIN INLETS DOWNSLOPE AND WITHIN 500 FEET OF A DISTURBED OR CONSTRUCTION AREA, UNLESS THOSE INLETS ARE PRECEDED BY A SEDIMENT TRAPPING BMP.
19. WASHOUT OF CONCRETE TRUCKS MUST BE PERFORMED OFF-SITE OR IN DESIGNATED CONCRETE WASHOUT AREAS ONLY. WASHING OUT CONCRETE TRUCKS, CHUTES, TOOLS OR EQUIPMENT ON THE GROUND OR INTO STORM DRAINS, OPEN DITCHES, STREETS OR STREAMS IS PROHIBITED
20. SUBMIT DEWATERING PLAN PRIOR TO DISCHARGING TURBID AND CONTAMINATED STORMWATER AND GROUNDWATER OFF-SITE. TREATMENT OR DISPOSAL OPTIONS MAY INCLUDE: INFILTRATION, TRANSPORT OFF-SITE IN A VEHICLE, FOR LEGAL DISPOSAL IN A MANNER THAT DOES NOT POLLUTE STATE WATER; ECOLOGY APPROVED ON-SITE CHEMICAL TREATMENT; SANITARY OR COMBINED SEWER DISCHARGE WITH LOCAL SEWER DISTRICT APPROVAL; USE OF THE SEDIMENTATION BAG WITH OUTFALL TO A DITCH OR SWALE FOR SMALL VOLUMES OF LOCALIZED DEWATERING.
21. PERMANENT STORM WATER FACILITIES SHALL BE ISOLATED AND PROTECTED FROM SEDIMENTATION WITH AN APPROVED BMP.
- MAINTENANCE OF EROSION PREVENTION AND SEDIMENT CONTROL BMP'S
22. ALL EROSION PREVENTION AND SEDIMENT CONTROL BMP'S SHALL BE REGULARLY INSPECTED AND MAINTAINED TO ENSURE CONTINUED PERFORMANCE OF THEIR INTENDED FUNCTION.
23. THE CONTRACTOR/CESCL SHALL MAINTAIN AND HAVE ON-SITE A WRITTEN LOG OF EROSION PREVENTION AND SEDIMENT CONTROL BMP MAINTENANCE. CONSTRUCTION SITES SHALL BE INSPECTED AT LEAST ONCE A WEEK AND AFTER EACH RAINFALL EVENT.
24. ALL TEMPORARY EROSION PREVENTION AND SEDIMENT CONTROL MEASURES SHALL BE REMOVED WITHIN 30 DAYS AFTER SITE STABILIZATION IS ACHIEVED OR AFTER TEMPORARY BMP'S ARE NO LONGER NEEDED. TRAPPED SEDIMENT SHALL BE REMOVED OR STABILIZED ON SITE. DISTURBED SOIL AREAS RESULTING FROM REMOVAL SHALL BE PERMANENTLY STABILIZED PER THE STORMWATER MANUAL.
- DUST CONTROL
25. IN AREAS SUBJECT TO SURFACE AND AIR MOVEMENT OF DUST, REFER TO THE STORMWATER MANUAL FOR DUST CONTROL BMP'S.
- TEMPORARY SEEDING
26. EXPOSED SURFACES THAT WILL NOT BE BROUGHT TO FINAL GRADE OR GIVEN A PERMANENT COVER TREATMENT WITHIN 30 DAYS OF THE EXPOSURE SHALL HAVE SEED MIX AND MULCH PLACED TO STABILIZE THE SOIL AND REDUCE EROSION SEDIMENTATION. SEEDED AREAS SHALL BE CHECKED REGULARLY TO ASSURE A GOOD STAND OF GRASS IS BEING MAINTAINED. AREAS THAT FAIL TO ESTABLISH VEGETATION COVER ADEQUATE TO PREVENT EROSION WILL BE RESEDED AS SOON AS SUCH AREAS ARE IDENTIFIED.
27. AN APPROVED TEMPORARY SEEDING MIXTURE SHALL BE APPLIED TO THE PREPARED SEED BED AT A RATE OF 120 LBS/ACRE. NOTE: "HYDROSEEDING" APPLICATIONS WITH APPROVED SEED-MULCH-FERTILIZER MIXTURES MAY ALSO BE USED.
- PROTECTION OF LOW IMPACT DEVELOPMENT (LID) BMP'S
28. PROTECT ALL BIORETENTION AND RAIN GARDEN FACILITIES FROM SEDIMENTATION THROUGH INSTALLATION AND MAINTENANCE OF EROSION AND SEDIMENT CONTROL BMP'S.
29. RESTORE LID FACILITIES TO FULL FUNCTIONING CONDITION IF THEY ACCUMULATE SEDIMENT DURING CONSTRUCTION.
30. MAINTAIN THE INFILTRATION CAPABILITIES OF BIORETENTION AND RAIN GARDEN FACILITIES BY PROTECTING AGAINST COMPACTION.
31. PROPOSED PERMEABLE PAVEMENT AREAS SHALL BE SHOWN ON THE EROSION CONTROL PLAN. PERMEABLE PAVEMENT AREAS SHALL BE PROTECTED FROM SEDIMENT DURING AND AFTER INSTALLATION, AND UNTIL THE DEVELOPMENT CONSTRUCTION IS COMPLETED. CONTROL EROSION AND PREVENT SEDIMENT FROM CONTAMINATING PERMEABLE PAVEMENTS. CLEAN PERMEABLE PAVEMENT FOULED WITH SEDIMENT OR NO LONGER PASSING AN INITIAL INFILTRATION TEST.
32. KEEP HEAVY EQUIPMENT OFF EXISTING SOILS UNDER PROPOSED LID FACILITIES THAT HAVE BEEN EXCAVATED TO FINAL GRADE TO RETAIN THE SOIL INFILTRATION RATE.
33. CLEARING LIMITS FOR CRITICAL AREAS AND THEIR BUFFERS, AND TREES THAT ARE TO BE PRESERVED WITHIN THE CONSTRUCTION AREA SHALL BE CLEARLY MARKED PRIOR TO LAND-DISTURBING ACTIVITY.

|  |   |               |               |                       |
|--|---|---------------|---------------|-----------------------|
|  <p><b>CITY OF Vancouver</b><br/>WASHINGTON</p> | <b>EROSION PREVENTION &amp; SEDIMENT CONTROL NOTES</b>                      |               |               | EROSION<br>DETAIL NO. |
|  | CITY OF VANCOUVER<br>DEPARTMENT OF PUBLIC WORKS<br>SURFACE WATER MANAGEMENT |               |               | <b>E-1.00b</b>        |
|  | DRAWN BY  | APPROVED BY   | APPROVAL DATE |                       |
|  | MDH   | AR            | 02-2024       |                       |
| REVISION   | APPROVED BY   | APPROVAL DATE |               |                       |
| -  | -   | -             |               |                       |

| ELE#  | BMP# | TITLE  | KEY | SYMBOL                                 |
|-------|------|--|-----|--|
| 1     | C101 | PRESERVING NATURAL VEGETATION                              | VEG |  |
| 1     | C102 | BUFFER ZONES   | BZ  |  |
| 1     | C103 | HIGH VISIBILITY PLASTIC OR METAL FENCE                     | HVF |  |
| 1     | C104 | STAKE AND WIRE FENCE                                       | SWF |  |
| 2     | C105 | STABILIZED CONSTRUCTION ENTRANCE                           | CE  |  |
| 2     | C106 | WHEEL WASH   | W/W |  |
| 2     | C107 | CONSTRUCTION ROAD / PARKING STABILIZATION                  | CRS |  |
| 5, 6  | C120 | TEMPORARY AND PERMANENT SEEDING                            | TPS |  |
| 5     | C121 | MULCHING   | MU  |  |
| 5     | C122 | NETS AND BLANKETS  | NET |  |
| 5     | C123 | PLASTIC COVERING   | PC  |  |
| 5     | C124 | SODDING  | SD  |  |
| 5     | C125 | TOPSOILING   | TD  |  |
| 5     | C126 | POLYACRYLAMIDE FOR SOIL EROSION PROTECTION                 | PAM |  |
| 5, 6  | C130 | SURFACE ROUGHENING   | SR  |  |
| 5, 6  | C131 | GRADIENT TERRACES  | GT  |  |
| 5     | C140 | DUST CONTROL   | DC  |  |
| 5,6,8 | C150 | MATERIALS ON HAND  | MDH | WESTERN WASHINGTON SWMM SPECIFICATIONS |
| 9     | C151 | CONCRETE HANDLING  | CH  | WESTERN WASHINGTON SWMM SPECIFICATIONS |
| 9     | C152 | SAWCUTTING AND SURFACING POLLUTION PREVENTION              | SAW | WESTERN WASHINGTON SWMM SPECIFICATIONS |
| 2     | C160 | CONTRACTOR EROSION AND SPILL CONTROL LEAD                  | SCL | WESTERN WASHINGTON SWMM SPECIFICATIONS |
| 2     | C161 | PAYMENT OF EROSION CONTROL WORK                            | PAY | WESTERN WASHINGTON SWMM SPECIFICATIONS |
| 5     | C162 | SCHEDULING   | SCH | WESTERN WASHINGTON SWMM SPECIFICATIONS |
| 5     | C180 | SMALL PROJECT CONSTRUCTION STORMWATER POLLUTION PREVENTION | SMP | CITY OF VANCOUVER SPECIFICATIONS       |
| 6     | C200 | INTERCEPTOR DIKE AND SWALE                                 | IDS |  |
| 6     | C201 | GRASS-LINED CHANNELS                                       | GC  |  |
| 8     | C202 | CHANNEL LINING   | CL  |  |
| 5     | C203 | WATER BARS   | WB  |  |
| 6     | C204 | PIPE SLOPE DRAIN   | PSD |  |
| 6     | C205 | SUBSURFACE DRAINS  | SUD |  |
| 6     | C206 | LEVEL SPREADER   | LS  |  |
| 6     | C207 | CHECK DAMS   | CD  |  |
| 6     | C208 | TRIANGULAR SILT DIKE (GEOTEXTILE-ENCASED CHECK DAM)        | TSD |  |
| 8     | C209 | OUTLET PROTECTION  | OP  |  |
| 7     | C220 | STORM DRAIN INLET PROTECTION                               | IP  |  |
| 4     | C230 | STRAW BALE BARRIER   | STB |  |
| 4     | C231 | BRUSH BARRIER  | BB  |  |
| 4     | C232 | GRAVEL FILTER BERM   | FB  |  |
| 4     | C233 | SILT FENCE   | SF  |  |
| 4     | C234 | VEGETATED STRIP  | VS  |  |
| 4     | C235 | STRAW WATTLES  | SW  |  |
| 3, 4  | C240 | SEDIMENT TRAP  | ST  |  |
| 3, 4  | C241 | TEMPORARY SEDIMENT POND                                    | SP  |  |
| 4     | C250 | CONSTRUCTION STORMWATER CHEMICAL TREATMENT                 | CT  |  |
| 4     | C251 | CONSTRUCTION STORMWATER FILTRATION                         | FIL |  |

### SYMBOLS

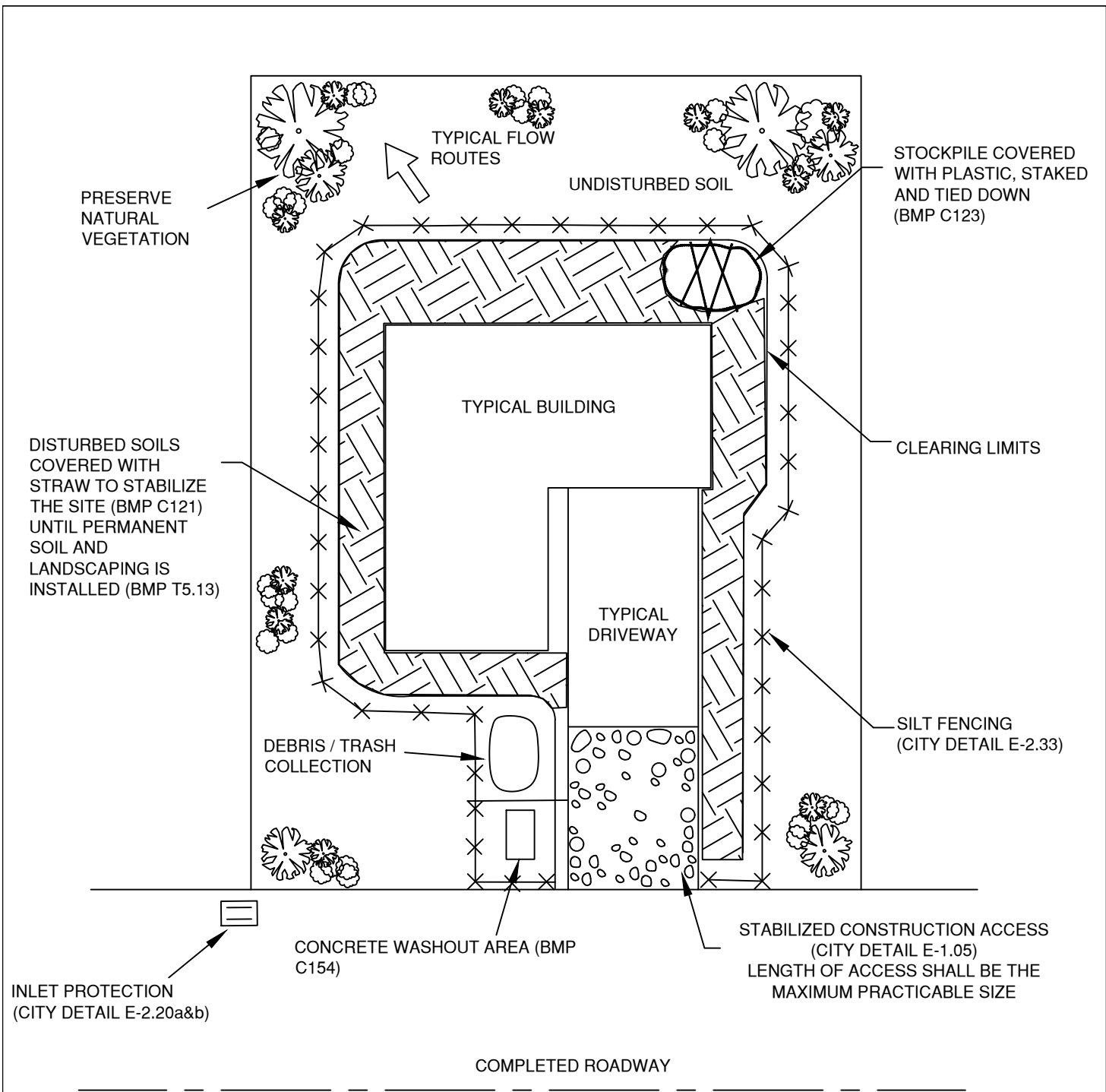
CITY OF VANCOUVER  
DEPARTMENT OF PUBLIC WORKS  
SURFACE WATER MANAGEMENT

| DRAWN BY | APPROVED BY | APPROVAL DATE |
|----------|-------------|---------------|
| MDH      | AR          | 02-2024       |
| REVISION | APPROVED BY | APPROVAL DATE |
| -        | -           | -             |

EROSION  
DETAIL NO.

**E-0.10**





FOR SITES THAT CREATE LESS THAN 2,000 SQUARE FEET OF HARD SURFACE

SITES THAT CREATE 2,000 OR MORE HARD SURFACE MUST SUBMIT A CITY ABBREVIATED SWPPP AND EROSION CONTROL PLAN.

BMP'S REFERENCED ARE FROM THE 2019 STORMWATER MANUAL FOR WESTERN WASHINGTON

N.T.S.



**SMALL PROJECT EROSION PREVENTION DETAIL**

CITY OF VANCOUVER  
DEPARTMENT OF PUBLIC WORKS  
SURFACE WATER MANAGEMENT

|          |             |               |
|----------|-------------|---------------|
| DRAWN BY | APPROVED BY | APPROVAL DATE |
| MDH      | AR          | 02-2024       |
| REVISION | APPROVED BY | APPROVAL DATE |
| -        | -           | -             |


EROSION  
DETAIL NO.

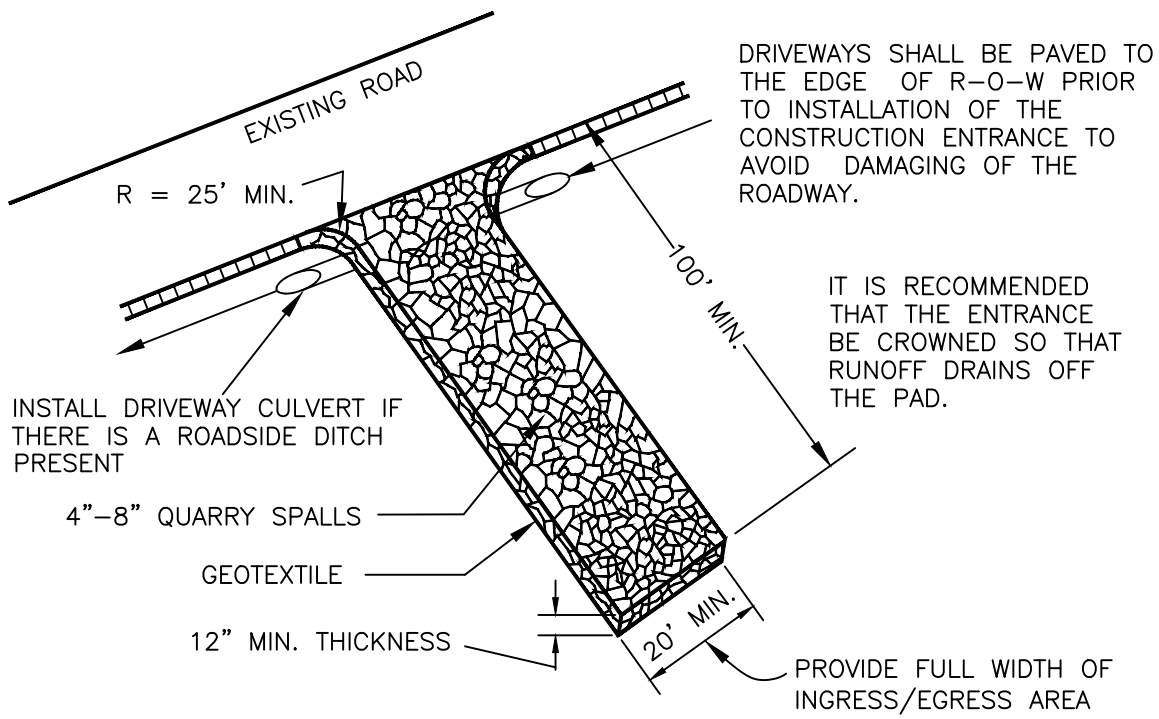
**E-0.20a**

**SMALL PROJECT EROSION PREVENTION PLAN NOTES**

THE FOLLOWING BMP'S ARE REQUIRED FOR ALL CONSTRUCTION UNLESS IT CAN BE SHOWN THAT IT IS NOT NECESSARY:

1. CONTRACTOR SHALL CONFORM TO ALL EROSION PREVENTION AND SEDIMENT CONTROL NOTES AND DETAILS. AN EROSION CONTROL INSPECTION (ZON510) MUST BE SCHEDULED AND APPROVED PRIOR TO LAND DISTURBING ACTIVITY.
2. CONCRETE TRUCK CHUTES AND PUMPS SHALL BE WASHED OUT ONLY INTO A FORMED AREA. WHEN NO FORMED AREAS ARE AVAILABLE, WASHWATER AND LEFTOVER PRODUCT SHALL BE CONTAINED IN A LINED CONTAINER OR HAULED OFF-SITE BY CONTRACTOR.
3. A GRAVEL CONSTRUCTION ENTRANCE SHALL BE PLACED FROM THE CURB TO THE STRUCTURE PRIOR TO STARTING WORK. THE ROCK MUST EXTEND THE FULL WIDTH OF THE INGRESS/EGRESS AREA. THE CONSTRUCTION ENTRANCE SHALL BE KEPT FREE OF EXCESSIVE MUD AND SHALL BE REPAIRED TO GOOD WORKING CONDITION AS NECESSARY. IF IT IS DISCOVERED THAT THE CONSTRUCTION ENTRANCE IS BEING CIRCUMVENTED, CONSTRUCTION FENCING WILL BE IMMEDIATELY REQUIRED AROUND THE ENTIRE PROPERTY PERIMETER.
4. SILT FENCE SHALL BE INSTALLED ON THE ENTIRE FRONTAGE OF ALL IMPERVIOUS SURFACES. THE PURPOSE OF THIS FENCE IS TO PROTECT NEIGHBORING PROPERTIES, CRITICAL AREAS AND RIGHT-OF-WAYS FROM SEDIMENT DEPOSITS, DELINEATE CLEARING LIMITS, AND TO CHANNEL ALL CONSTRUCTION TRAFFIC TO THE GRAVEL CONSTRUCTION ENTRANCE.
5. INLET PROTECTION MUST BE INSTALLED (SEE DETAIL E-2.20a AND/OR E-2.20b). INLET PROTECTION SHALL BE MAINTAINED OR REPLACED AS NECESSARY UNTIL FINAL LANDSCAPING IS APPROVED.
6. ALL EXPOSED AND UNWORKED SOILS SHALL BE STABILIZED BY THE APPROPRIATE BEST MANAGEMENT PRACTICES (BMPs). FROM OCTOBER 1 TO APRIL 30, NO SOILS SHALL BE EXPOSED AND UNWORKED FOR MORE THAN TWO (2) DAYS. FROM MAY 1 TO SEPTEMBER 30, NO SOILS SHALL BE EXPOSED AND UNWORKED FOR MORE THAN SEVEN (7) DAYS. SOIL STOCKPILES MUST BE COVERED BY THE END OF EACH WORKDAY.
7. PROTECT EXISTING AND PROPOSED LID BMPs (RAIN GARDENS & PERMEABLE PAVEMENT) IN THE ROAD AN ON-SITE FROM COMPACTION AND SEDIMENTATION. RESTORE LID BMPs TO THEIR FULLY FUNCTIONING CONDITION IF THEY ACCUMULATE SEDIMENT.
8. AN ABBREVIATED STORMWATER POLLUTION PREVENTION PLAN (SWPPP) MAY BE REQUIRED. THE STORMWATER POLLUTION PREVENTION PLAN (SWPPP) IS A SEPARATE CHECKLIST THAT DESCRIBES HOW EROSION, SEDIMENT AND STORMWATER WILL BE CONTROLLED DURING CONSTRUCTION. THE FORM IS AVAILABLE ON THE CITY OF VANCOUVER'S WEBSITE.
9. THE CONTRACTOR/CESCL SHALL MAINTAIN AND HAVE ON-SITE A WRITTEN LOG OF EROSION PREVENTION AND SEDIMENT CONTROL BMP MAINTENANCE.
10. SUBMIT A DEWATERING PLAN PRIOR TO DISCHARGING TURBID AND CONTAMINATED STORMWATER AND GROUNDWATER OFF-SITE. TREATMENT OR DISPOSAL OPTIONS MAY INCLUDE: INFILTRATION, TRANSPORT OFF-SITE IN A VEHICLE, FOR LEGAL DISPOSAL IN A MANNER THAT DOES NOT POLLUTE STATE WATER; ECOLOGY APPROVED ON-SITE CHEMICAL TREATMENT; SANITARY OR COMBINED SEWER DISCHARGE WITH LOCAL SEWER DISTRICT APPROVAL; USE OF THE SEDIMENTATION BAG WITH OUTFALL TO A DITCH OR SWALE FOR SMALL VOLUMES OF LOCALIZED DEWATERING.
11. CONSIDER THE PLACEMENT OF STRAW WATTLES BEHIND CURBING AND AT DRIVEWAY DROPS DURING THE WET SEASON (OCTOBER 1ST-APRIL 30TH).
12. ADDITIONAL BMP'S MAY BE REQUIRED WHERE THOSE LISTED DO NOT ADEQUATELY PROTECT AGAINST EROSION AND SEDIMENT CONTROL.
13. IN AREA SUBJECT TO SURFACE AND AIR MOVEMENT OF DUST, REFER TO THE STORMWATER MANUAL FOR DUST CONTROL (BMP C140).
14. MARK ALL CLEARING LIMITS FOR CRITICAL AREAS AND THEIR BUFFERS, AND TREES THAT ARE TO BE PRESERVED WITHIN THE CONSTRUCTION AREA.

|  |   |             |               |                |               |
|--|---|-------------|---------------|----------------|---------------|
|  <b>CITY OF Vancouver</b><br>WASHINGTON | <b>SMALL PROJECT EROSION CONTROL DETAIL</b>                                 |             |               | <b>E-0.20b</b> |               |
|  | CITY OF VANCOUVER<br>DEPARTMENT OF PUBLIC WORKS<br>SURFACE WATER MANAGEMENT | DRAWN BY    | APPROVED BY   |                | APPROVAL DATE |
|  |   | MDH         | AR            |                | 02-2024       |
|  | REVISION  | APPROVED BY | APPROVAL DATE |                |               |
|  | -   | -           | -             |                |               |



DRIVEWAYS SHALL BE PAVED TO THE EDGE OF R-O-W PRIOR TO INSTALLATION OF THE CONSTRUCTION ENTRANCE TO AVOID DAMAGING OF THE ROADWAY.

IT IS RECOMMENDED THAT THE ENTRANCE BE CROWNED SO THAT RUNOFF DRAINS OFF THE PAD.

INSTALL DRIVEWAY CULVERT IF THERE IS A ROADSIDE DITCH PRESENT


4"-8" QUARRY SPALLS  
 GEOTEXTILE  
 12" MIN. THICKNESS

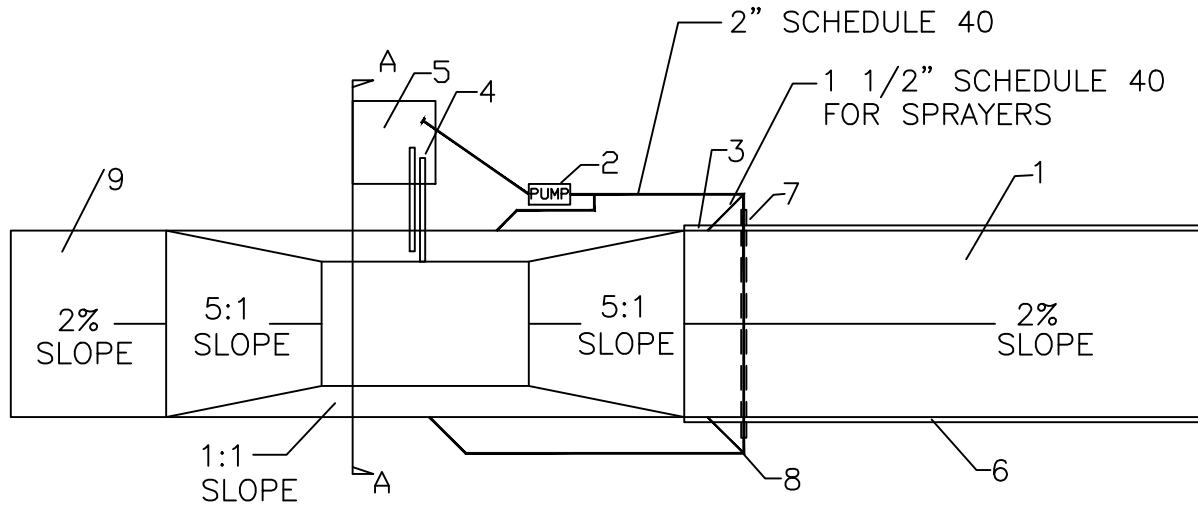
PROVIDE FULL WIDTH OF INGRESS/EGRESS AREA

**NOTES:**

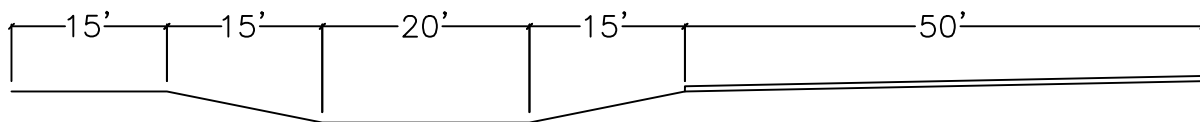
1. IF THE ENTRANCE SITS ON A SLOPE, PLACE A FILTER FABRIC FENCE DOWN GRADIENT.
2. TOP DRESS THE PAD WITH CLEAN 3" MINUS ROCK WHEN THE CONSTRUCTION ENTRANCE BECOMES CLOGGED WITH SEDIMENTS.
3. ANY SEDIMENT CARRIED FROM THE SITE ONTO THE STREET OR PAVED SURFACES SHALL BE CLEANED UP IMMEDIATELY.
4. IF EQUIPMENT TRAVELS EXTENSIVELY ON UNSTABILIZED ROADS ON THE SITE, A TIRE AND VEHICLE UNDERCARRIAGE WASH NEAR THE ENTRANCE WILL BE NEEDED. PERFORM WASHING ON CRUSHED ROCK. WASH WATER WILL REQUIRE TREATMENT IN A SEDIMENT POND OR TRAP.
5. WHERE CONSTRUCTION ACCESS ABUTS A CURB, MINIMUM 2" DIAMETER PVC AND COLD-PATCH ASPHALT SHOULD BE USED TO CONSTRUCT THE APPROACH IN ORDER TO PROTECT THE CURB AND MINIMIZE OBSTRUCTION TO STORMWATER FLOW IN THE GUTTER.
6. TRUCKS LEAVING THE SITE SHALL EGRESS ACROSS THE FULL LENGTH OF THE PAD.
7. SINGLE FAMILY LOT ENTRANCES SHALL USE CLEANED ROCK 2 INCH TO 4 INCH.
8. ACCESS SHALL BE LIMITED TO ONE ROUTE UNLESS APPROVED BY DIRECTOR. WHEREVER TWO OR MORE ACCESSES ARE USED, A CONSTRUCTION ROAD (BMP C107) MUST BE CONSTRUCTED TO STABILIZE ROUTES USED BY ALL CONSTRUCTION TRAFFIC AND EQUIPMENT.
9. RELOCATING CONSTRUCTION ACCESS OR ADDING ADDITIONAL ACCESSES SHALL BE APPROVED BY DIRECTOR AND INDICATED ON APPROVED PLANS.
10. THE 100' MINIMUM LENGTH OF THE ACCESS SHALL BE REDUCED TO THE MAXIMUM PRACTICABLE SIZE WHEN THE SIZE OR CONFIGURATION OF THE SITE DOES NOT ALLOW THE FULL LENGTH (100').

N.T.S.

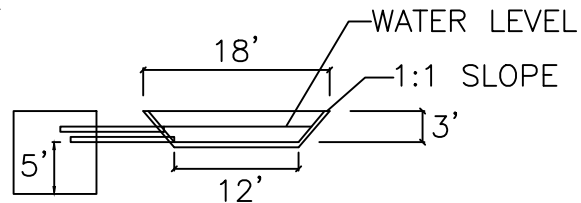
|  |   |  |  |  |  |
|--|---|--|--|--|--|
|  <b>CITY OF Vancouver</b><br>WASHINGTON | <b>STABILIZED CONSTRUCTION ENTRANCE</b>                                     |  |  | EROSION<br>DETAIL NO.<br><b>E-1.05</b> |  |
|  | CITY OF VANCOUVER<br>DEPARTMENT OF PUBLIC WORKS<br>SURFACE WATER MANAGEMENT |  |  |  | DRAWN BY: MDH<br>APPROVED BY: AR<br>APPROVAL DATE: 02-2024 |
|  |   |  |  |  | REVISION: -<br>APPROVED BY: -<br>APPROVAL DATE: -          |



WHEEL WASH PLAN



ELEVATION VIEW



SECTION A-A

LEGEND:

1. ASPHALT CONSTRUCTION ENTRANCE 6 IN. ASPHALT TREATED BASE (ATB).
2. 3 IN. TRASH PUMP WITH FLOATS ON THE SUCTION HOSE.
3. MIDPOINT SPRAY NOZZLES, IF NEEDED.
4. 6 IN. SEWER PIPE WITH BUTTERFLY VALVES. BOTTOM ONE IS A DRAIN. LOCATE TOP PIPE'S INVERT 1 FT. ABOVE BOTTOM OF WHEEL WASH.
5. 8 FT. X 8 FT. SUMP WITH 5 FT. OF CATCH. BUILD SO CAN BE CLEANED WITH TRACKHOE.
6. 6-IN. ASPHALT CURB ON THE LOW ROAD SIDE TO DIRECT WATER BACK TO POND.
7. 6-IN. SLEEVE UNDER ROAD.
8. BALL VALVES.
9. 15 FT. ATB APRON TO PROTECT GROUND FROM SPLASHING WATER.

N.T.S.



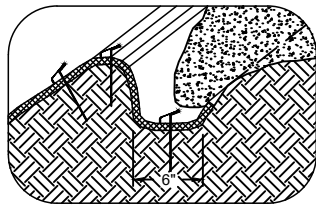
**WHEEL WASH**

CITY OF VANCOUVER  
DEPARTMENT OF PUBLIC WORKS  
SURFACE WATER MANAGEMENT

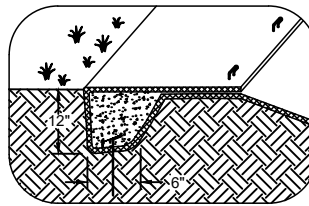
| DRAWN BY | APPROVED BY | APPROVAL DATE |
|----------|-------------|---------------|
| MDH      | AR          | 02-2024       |
| REVISION | APPROVED BY | APPROVAL DATE |
| -        | -           | -             |

EROSION  
DETAIL NO.

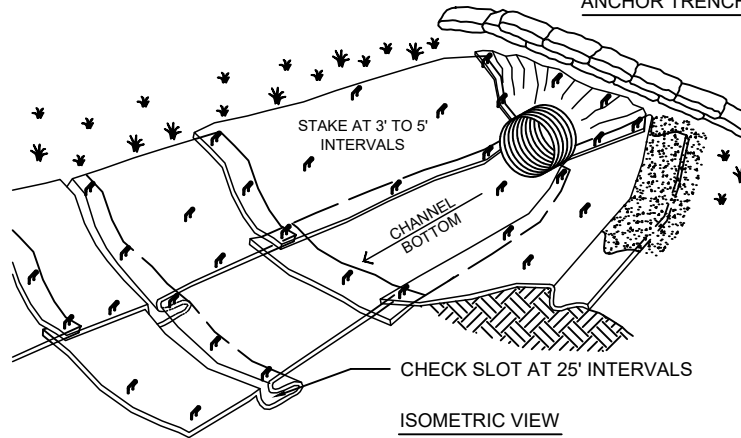
**E-1.22**



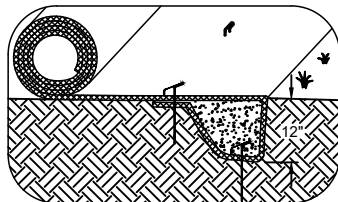
LONGITUDINAL ANCHOR TRENCH



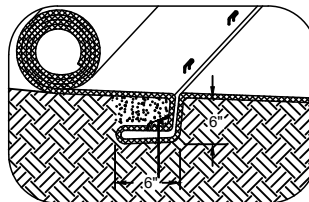
TERMINAL SLOPE AND CHANNEL ANCHOR TRENCH



ISOMETRIC VIEW



INITIAL CHANNEL ANCHOR TRENCH



INTERMITTENT CHECK SLOT

NOTES:

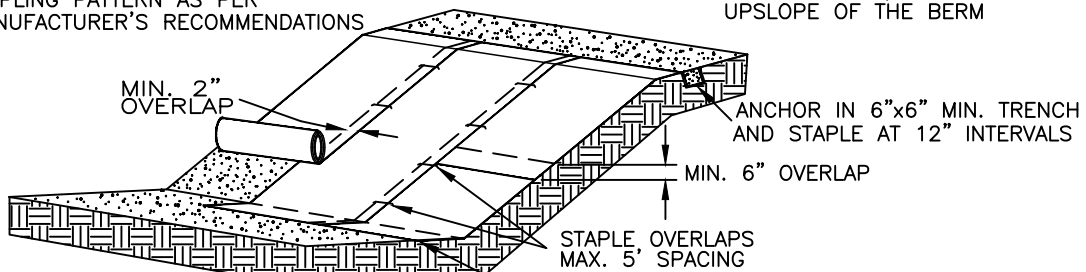
1. CHECK SLOTS TO BE CONSTRUCTED PER MANUFACTURE'S SPECIFICATIONS.
2. STAKING OF STAPLING LAYOUT PER MANUFACTURES SPECIFICATIONS.

CHANNEL INSTALLATION

SLOPE SURFACE SHALL BE SMOOTH BEFORE PLACEMENT FOR PROPER SOIL CONTACT

STAPLING PATTERN AS PER MANUFACTURER'S RECOMMENDATIONS

IF THERE IS A BERM AT THE TOP OF SLOPE, ANCHOR UPSLOPE OF THE BERM



DO NOT STRETCH BLANKETS/MATTINGS TIGHT ALLOW THE ROLLS TO MOLD TO ANY IRREGULARITIES

FOR SLOPES LESS THAN 3H:1V, ROLLS MAY BE PLACED IN HORIZONTAL STRIPS

BRING MATERIAL DOWN TO A LEVEL AREA, TURN THE END UNDER 4" AND STAPLE AT 12" INTERVALS

LIME, FERTILIZE AND SEED BEFORE INSTALLATION. PLANTING OF SHRUBS, TREES, ETC. SHOULD OCCUR AFTER INSTALLATION.

SLOPE INSTALLATION

N.T.S.



**NETS AND BLANKETS**

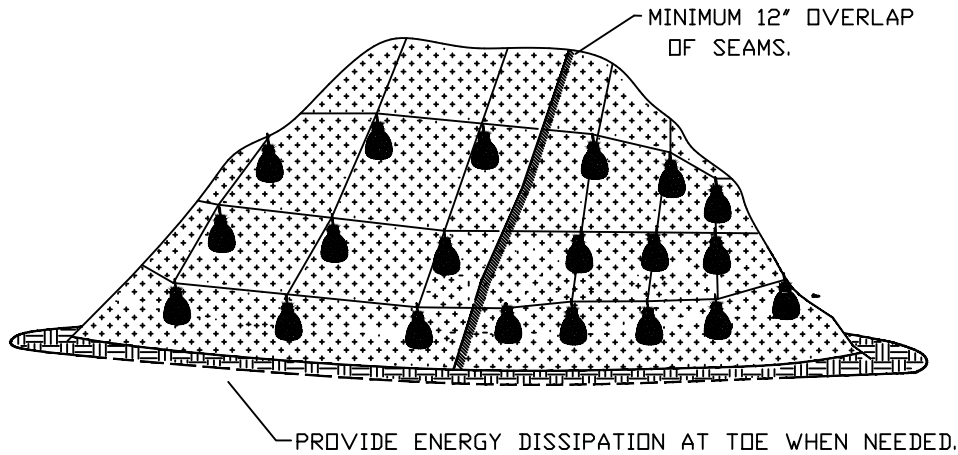
CITY OF VANCOUVER  
DEPARTMENT OF PUBLIC WORKS  
SURFACE WATER MANAGEMENT

| DRAWN BY | APPROVED BY | APPROVAL DATE |
|----------|-------------|---------------|
| MDH      | AR          | 02-2024       |
| REVISION | APPROVED BY | APPROVAL DATE |
| -        | -           | -             |

EROSION  
DETAIL NO.

**E-1.22**





PLASTIC SHEETING

NOTES:

1. PLASTIC SHEETING IS USED TO PROVIDE IMMEDIATE PROTECTION TO SLOPES AND STOCKPILES.
2. DO NOT USE PLASTIC COVERING UPSLOPE OF AREAS SUCH AS STEEP AND/OR UNSTABLE SLOPES THAT MIGHT BE ADVERSELY AFFECTED BY CONCENTRATED RUNOFF.
3. WHEN POSSIBLE, INSTALL AN INTERCEPTOR DIKE AT THE TOP OF THE PLASTIC TO DIVERT FLOWS AWAY FROM THE PLASTIC.
4. TOE—IN THE TOP OF THE SHEETING IN A 6”x6” TRENCH BACKFILLED WITH COMPACTED NATIVE MATERIAL.
5. INSTALL A GRAVEL BERM, RIPRAP, OR OTHER SUITABLE PROTECTION AT THE TOP OF THE SLOPE IN ORDER TO DISSIPATE RUNOFF VELOCITY.
6. ANCHOR THE PLASTIC USING SANDBAGS OR OTHER SUITABLE TETHERED ANCHOR SYSTEM SPACED ON A 10’ GRID SPACING IN ALL DIRECTIONS.
7. OVERLAP SEAMS 1–2’, TAPE, ROLL AND STAKE THE SEAMS AND THEN WEIGH DOWN THE ENTIRE LENGTH.
8. PROVIDE ENERGY DISSIPATION AT TOE WHEN NEEDED.
9. REPLACE TORN SHEETS AND REPAIR OPEN SEAMS. COMPLETELY REMOVE AND REPLACE PLASTIC WHEN IT BEGINS TO DETERIORATE.

N.T.S.



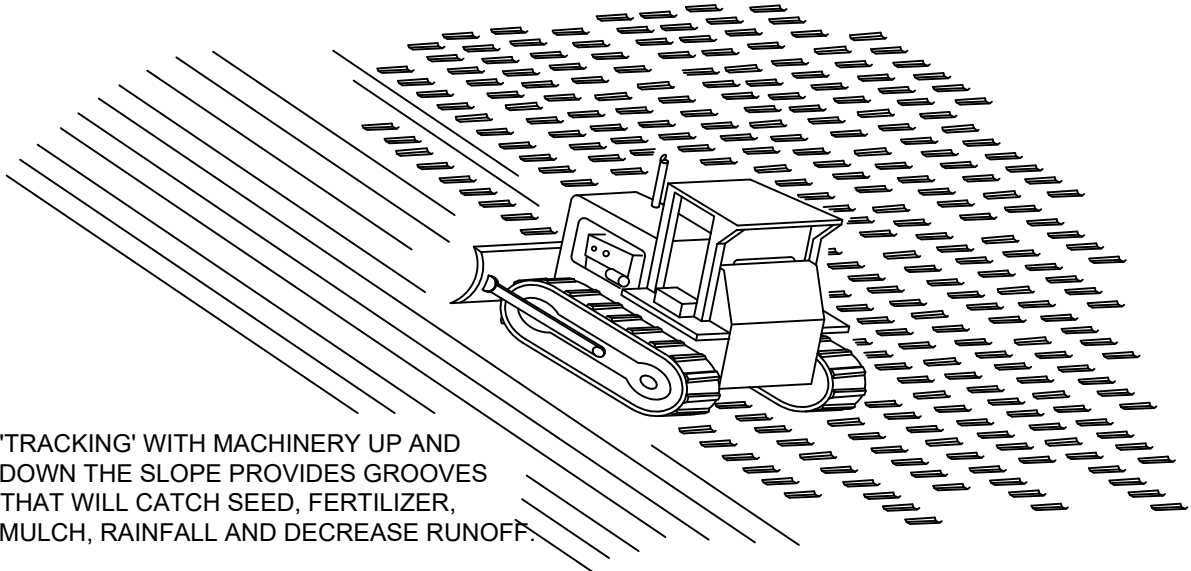
**PLASTIC COVERING**

CITY OF VANCOUVER  
DEPARTMENT OF PUBLIC WORKS  
SURFACE WATER MANAGEMENT

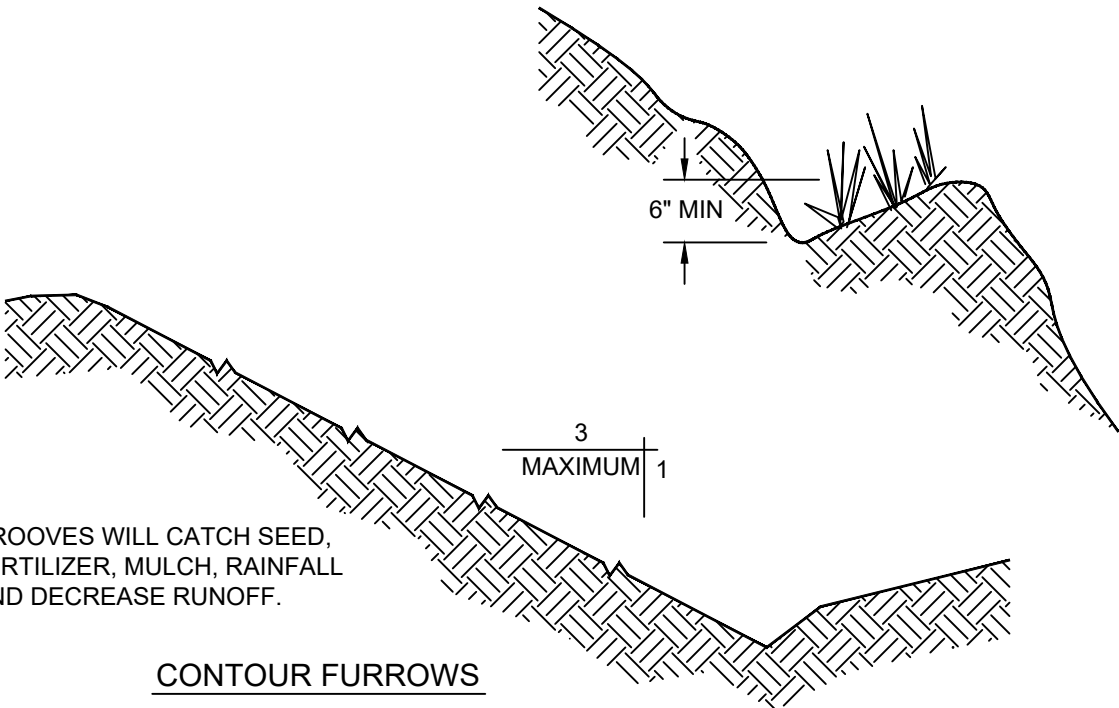
| DRAWN BY | APPROVED BY | APPROVAL DATE |
|----------|-------------|---------------|
| MDH      | AR          | 02-2024       |
| REVISION | APPROVED BY | APPROVAL DATE |
| -        | -           | -             |

EROSION  
DETAIL NO.

**E-1.23**



TRACKING



N.T.S.

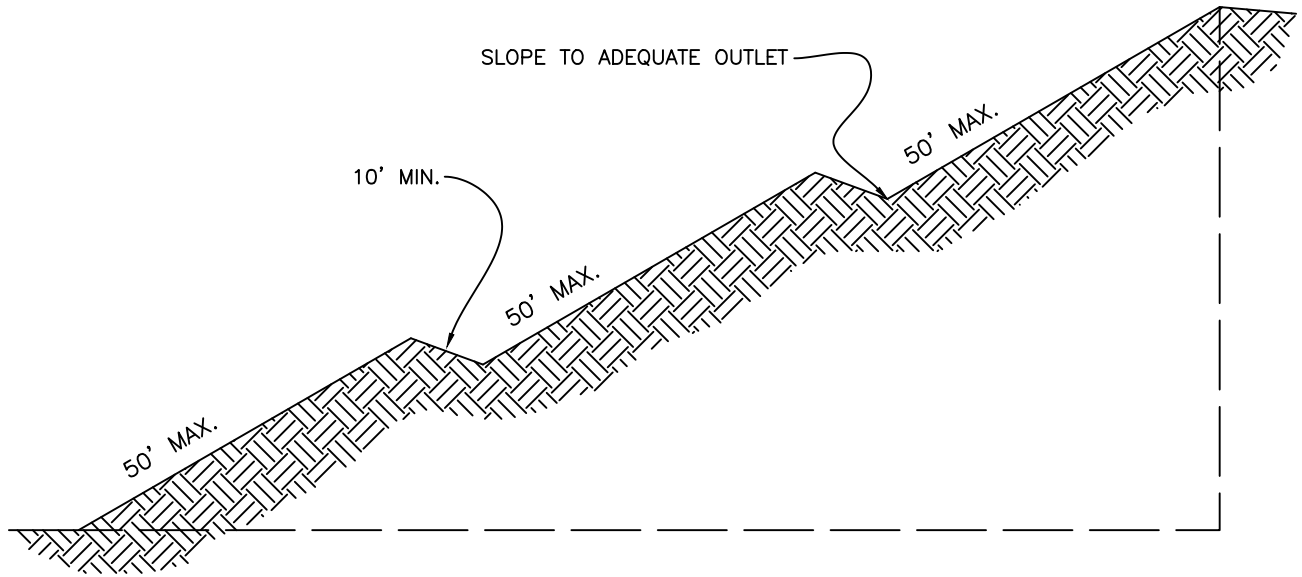


**SURFACE ROUGHENING**

CITY OF VANCOUVER  
DEPARTMENT OF PUBLIC WORKS  
SURFACE WATER MANAGEMENT

|          |             |               |
|----------|-------------|---------------|
| DRAWN BY | APPROVED BY | APPROVAL DATE |
| MDH      | AR          | 02-2024       |
| REVISION | APPROVED BY | APPROVAL DATE |
| -        | -           | -             |

EROSION  
DETAIL NO.  
**E-1.30**



NOTES:

ALL GRADIENT TERRACES SHOULD HAVE ADEQUATE OUTLETS. SUCH AN OUTLET MAY BE A GRASSED WATERWAY, VEGETATED AREA, OR TILE OUTLET. IN ALL CASES THE OUTLET MUST CONVEY RUNOFF FROM THE TERRACE OR TERRACE SYSTEM TO A POINT WHERE THE OUTFLOW WILL NOT CAUSE DAMAGE. VEGETATIVE COVER SHOULD BE USED IN THE OUTLET CHANNEL.

N.T.S.



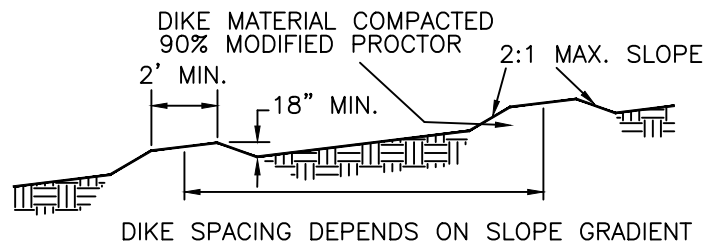
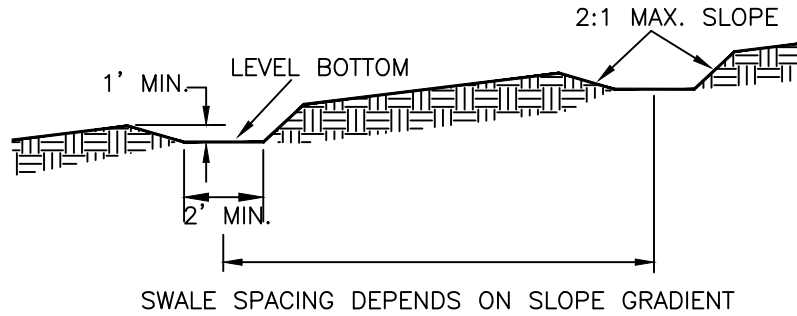
**GRADIENT TERRACES**

CITY OF VANCOUVER  
DEPARTMENT OF PUBLIC WORKS  
SURFACE WATER MANAGEMENT

| DRAWN BY | APPROVED BY | APPROVAL DATE |
|----------|-------------|---------------|
| MDH      | AR          | 02-2024       |
| REVISION | APPROVED BY | APPROVAL DATE |
| -        | -           | -             |

EROSION  
DETAIL NO.

**E-1.31**



NOTES:

1. MAXIMUM SLOPE OF FLOW PATH SHALL BE EQUAL TO OR LESS THAN 5 PERCENT.
2. SIDE SLOPE OF INTERCEPTOR SWALES SHALL BE NO GREATER THAN 2:1
3. MAXIMUM LENGTH BETWEEN SWALES:

|          |        |        |        |
|----------|--------|--------|--------|
| SLOPE    | <5%    | 5-10%  | 10-40% |
| DISTANCE | 300 FT | 200 FT | 100 FT |

N.T.S.



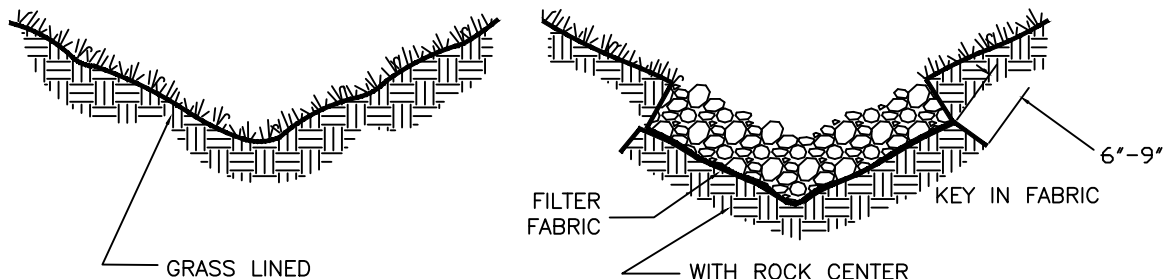
**INTERCEPTOR DIKE & SWALE**

CITY OF VANCOUVER  
DEPARTMENT OF PUBLIC WORKS  
SURFACE WATER MANAGEMENT

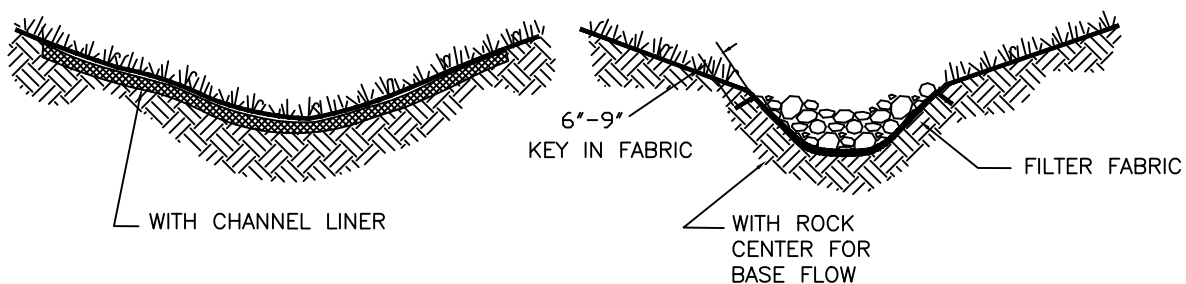
|          |             |               |
|----------|-------------|---------------|
| DRAWN BY | APPROVED BY | APPROVAL DATE |
| MDH      | AR          | 02-2024       |
| REVISION | APPROVED BY | APPROVAL DATE |
| -        | -           | -             |

EROSION  
DETAIL NO.  
**E-2.00**

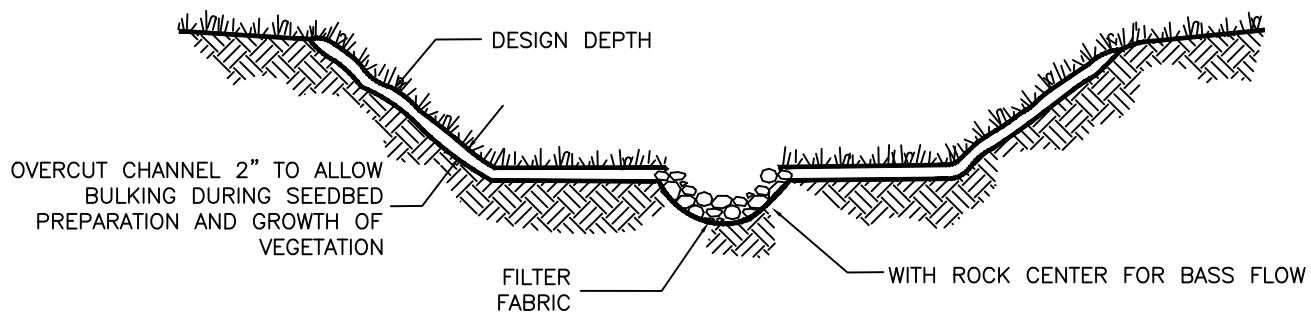
TYPICAL V-SHAPED CHANNEL CROSS-SECTION



TYPICAL PARABOLIC CHANNEL CROSS-SECTION



TYPICAL TRAPEZOIDAL CHANNEL CROSS-SECTION



N.T.S.



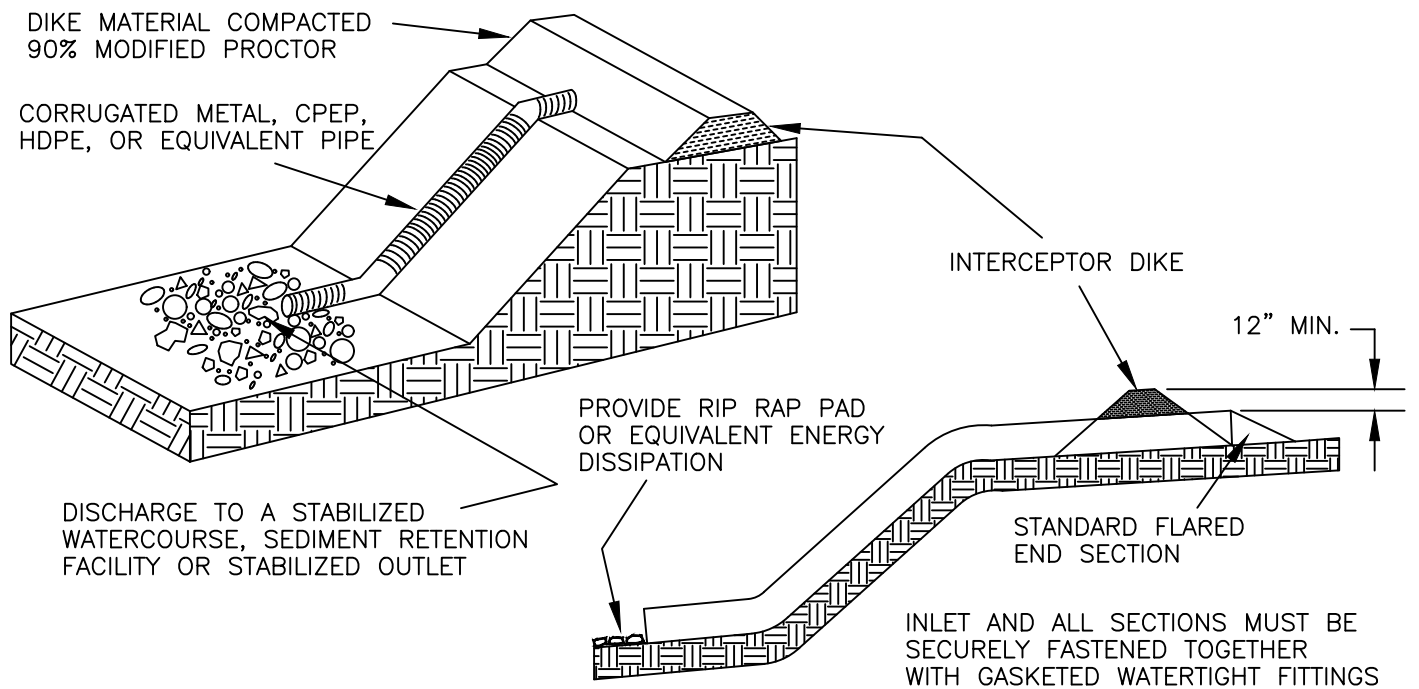
**GRASS-LINED CHANNELS**

CITY OF VANCOUVER  
DEPARTMENT OF PUBLIC WORKS  
SURFACE WATER MANAGEMENT

| DRAWN BY | APPROVED BY | APPROVAL DATE |
|----------|-------------|---------------|
| MDH      | AR          | 02-2024       |
| REVISION | APPROVED BY | APPROVAL DATE |
| -        | -           | -             |

EROSION  
DETAIL NO.

**E-2.01**



N.T.S.



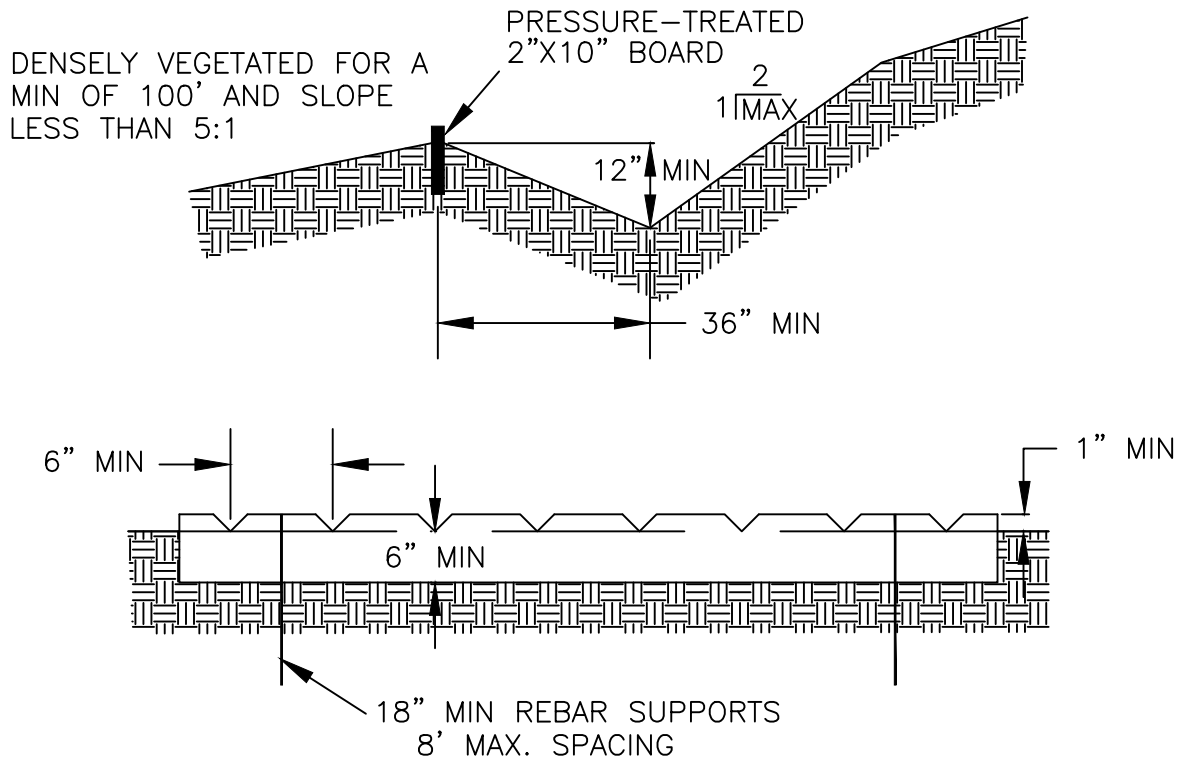
**PIPE SLOPE DRAINS**

CITY OF VANCOUVER  
DEPARTMENT OF PUBLIC WORKS  
SURFACE WATER MANAGEMENT

| DRAWN BY | APPROVED BY | APPROVAL DATE |
|----------|-------------|---------------|
| MDH      | AR          | 02-2024       |
| REVISION | APPROVED BY | APPROVAL DATE |
| -        | -           | -             |

EROSION  
DETAIL NO.

**E-2.04**



NOTES:

1. SPREADER MUST BE LEVEL END TO END.
2. TREATED 2"X10" WOOD BEAMS MAY BE ABUTTED END TO END FOR MAX SPREADER LENGTH OF 50 FEET.
3. ALTERNATIVELY, 6 INCH DIAMETER CMP MAY BE USED AS A SPREADER. THE PIPE SHALL BE BURIED SO THAT ONLY 1 INCH EXTENDS ABOVE GROUND.

N.T.S.



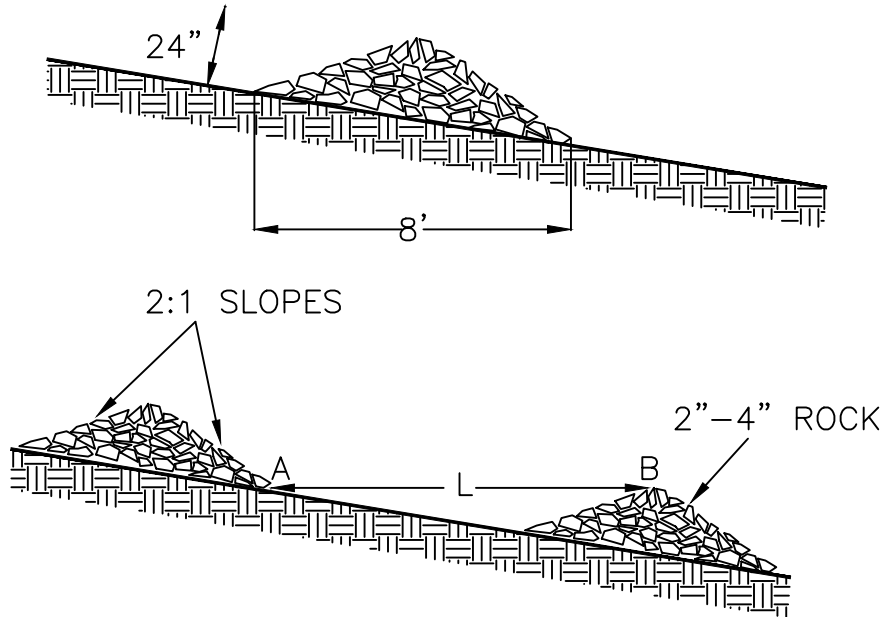
**LEVEL SPREADER**

CITY OF VANCOUVER  
DEPARTMENT OF PUBLIC WORKS  
SURFACE WATER MANAGEMENT

| DRAWN BY | APPROVED BY | APPROVAL DATE |
|----------|-------------|---------------|
| MDH      | AR          | 02-2024       |
| REVISION | APPROVED BY | APPROVAL DATE |
| -        | -           | -             |

EROSION  
DETAIL NO.

**E-2.06**



L = THE DISTANCE SUCH THAT POINTS A AND B ARE OF EQUAL ELEVATION

### SPACING BETWEEN CHECK DAMS

**CHECK DAM NOTES:**

1. CHECK DAMS ARE CONSTRUCTED ACROSS A SWALE OR DITCH TO REDUCE VELOCITIES OF CONCENTRATED FLOWS, THEREBY REDUCING EROSION AND ALLOWING A SIGNIFICANT AMOUNT OF SUSPENDED SEDIMENT TO SETTLE OUT.
2. CHECK DAMS SHALL BE USED IN TEMPORARY OR PERMANENT CHANNELS THAT DRAIN 10 ACRES OR LESS, ARE NOT YET VEGETATED, AND WHEN INSTALLING CHANNEL LINING IS NOT FEASIBLE.
3. USE TYPICAL ROCK SIZE OF 2-4 INCH. PLACE ROCK BY HAND OR BY MECHANICAL MEANS RATHER THAN DUMPING THE ROCK. BRIDGE ENTIRE DITCH OR SWALE WIDTH AND ENSURE THE CENTER OF THE DAM IS 6" LOWER THAN THE OUTER ENDS. FOR HIGHER VELOCITY FLOWS:  $\pm 5$  FPS USE 6"-12" RIPRAP, AND HAND PLACE LARGER ROCK ON UPSTREAM SIDE OF DAM.
4. REMOVE CHECK DAMS FROM GRASS-LINED DITCHES AND SWALES ONCE THE GRASS IS ESTABLISHED. SEED, MULCH OR MAT THE AREA WHERE THE CHECK DAMS WERE, IMMEDIATELY FOLLOWING REMOVAL.
5. INSPECT ONCE PER WEEK ON ACTIVE SITES, ONCE EVERY TWO WEEKS ON INACTIVE SITES, AND WITHIN 24 HOURS FOLLOWING A 0.5 INCH RAIN EVENT. REMOVE SEDIMENT ONCE IT REACHES ONE-THIRD THE DEPTH OF THE ROCK WEIR. REPLACE ROCK WEIR WHEN FILTERING CAPACITY IS REDUCED BY ONE-HALF.
6. SPACING TABLE FOR CHECK DAMS:

| DITCH GRADE | MINIMUM WEIR DEPTH |               |               |
|-------------|--------------------|---------------|---------------|
|             | 6 INCH             | 12 INCH       | 18 INCH       |
| 6%          | **                 | L= 16 ft O.C. | L= 26 ft O.C. |
| 5%          | **                 | L= 20 ft      | L= 30 ft      |
| 4%          | **                 | L= 26 ft      | L= 40 ft      |
| 3%          | 15 ft              | L= 33 ft      | L= 50 ft      |
| 2%          | 25 ft              | L= 50 ft      | L= 80 ft      |

\*\*NOT ALLOWED

N.T.S.



### CHECK DAM

CITY OF VANCOUVER  
DEPARTMENT OF PUBLIC WORKS  
SURFACE WATER MANAGEMENT

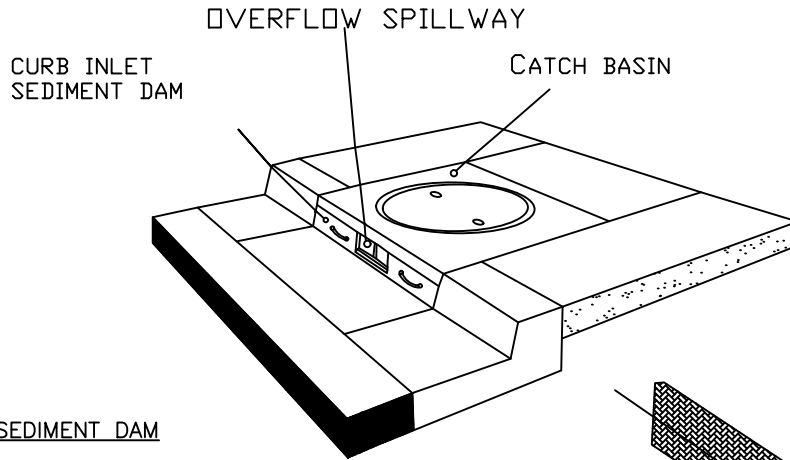
|          |             |               |
|----------|-------------|---------------|
| DRAWN BY | APPROVED BY | APPROVAL DATE |
| MDH      | AR          | 02-2024       |
| REVISION | APPROVED BY | APPROVAL DATE |
| -        | -           | -             |

EROSION  
DETAIL NO.

## E-2.07



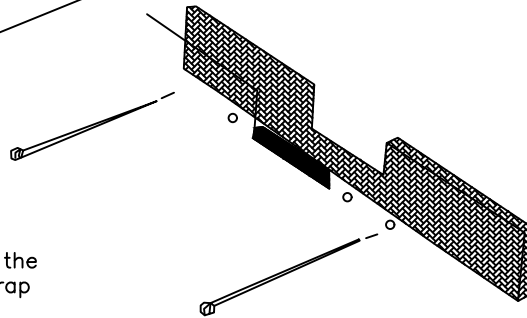
**CURB INLET SEDIMENT DAM**



CURB INLET SEDIMENT DAM

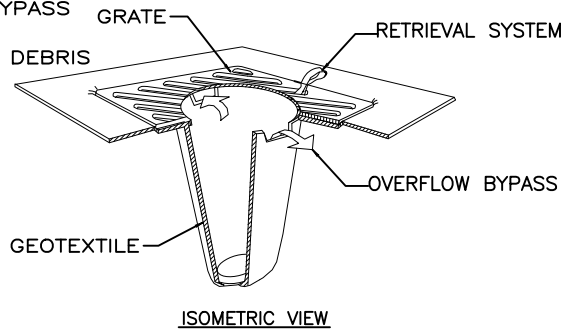
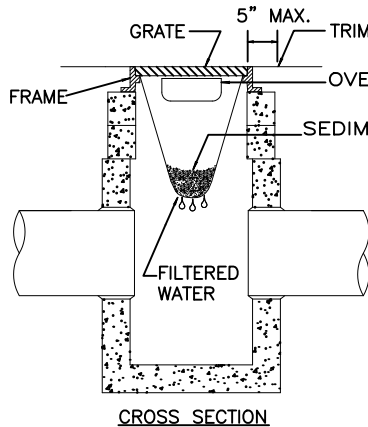
Material: 100% Non-woven Polyfiber  
 Color: Blue  
 Height: 5" (Custom)  
 Widths: 36" - 54" -70" (Custom)

Installation:  
 Place strap through hole(s) provided. Wrap around the horizontal rod in mouth of curb inlet and extend strap through adjacent hole and tie.



1. INLET PROTECTION MUST BE REGULARLY INSPECTED TO INSURE PROPER PLACEMENT/FUNCTION AND MAINTENANCE.

FILTER BAG



NOTES:

1. SIZE THE BELOW GRATE INLET DEVICE (BGID) FOR THE STORM WATER STRUCTURE IT WILL SERVICE.
2. THE REMOVAL SYSTEM MUST ALLOW REMOVAL OF THE BGID WITHOUT SPILLING THE COLLECTED MATERIAL.
3. THE BGID SHALL HAVE A BUILT-IN HIGH-FLOW RELIEF SYSTEM (OVERFLOW BYPASS).
4. THE CONTRACTOR SHALL INSPECT THE BAG AFTER EACH STORM EVENT AND AT REGULAR INTERVALS.
5. THE FILTER BAG SHALL BE CLEANED OR REPLACED WHEN THE BAG BECOMES HALF FULL.

N.T.S.



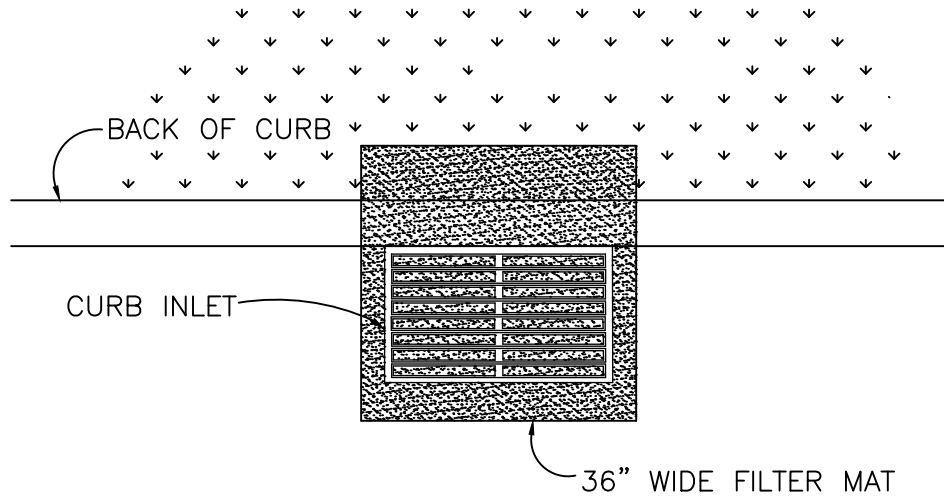
**INLET PROTECTION**

CITY OF VANCOUVER  
 DEPARTMENT OF PUBLIC WORKS  
 SURFACE WATER MANAGEMENT

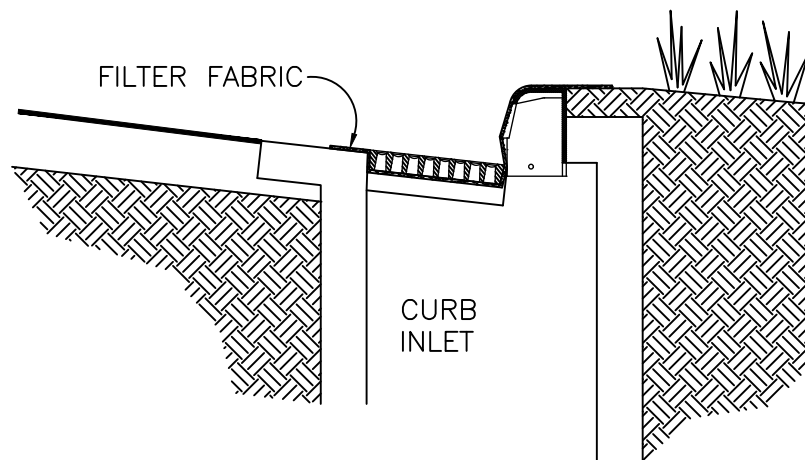
|          |             |               |
|----------|-------------|---------------|
| DRAWN BY | APPROVED BY | APPROVAL DATE |
| MDH      | AR          | 02-2024       |
| REVISION | APPROVED BY | APPROVAL DATE |
| -        | -           | -             |

EROSION  
 DETAIL NO.

**E-2.20a**



PLAN VIEW



NOTES:

1. USE FILTER MAT SEDIMENT BARRIER WHEN CURB INLET IS LOCATED IN GENTLY SLOPING STREET, WITH MINIMAL NEED, WHERE WATER CAN FILTER AND ALLOW SEDIMENT TO SEPARATE FROM RUNOFF.
2. BARRIER SHALL ALLOW FOR OVERFLOW FROM SEVERE STORM EVENT.
3. INSPECT BARRIERS AND REMOVE SEDIMENT AFTER EACH STORM EVENT. SEDIMENT MUST BE REMOVED FROM THE TRAVELED WAY IMMEDIATELY.

N.T.S.



**INLET PROTECTION**

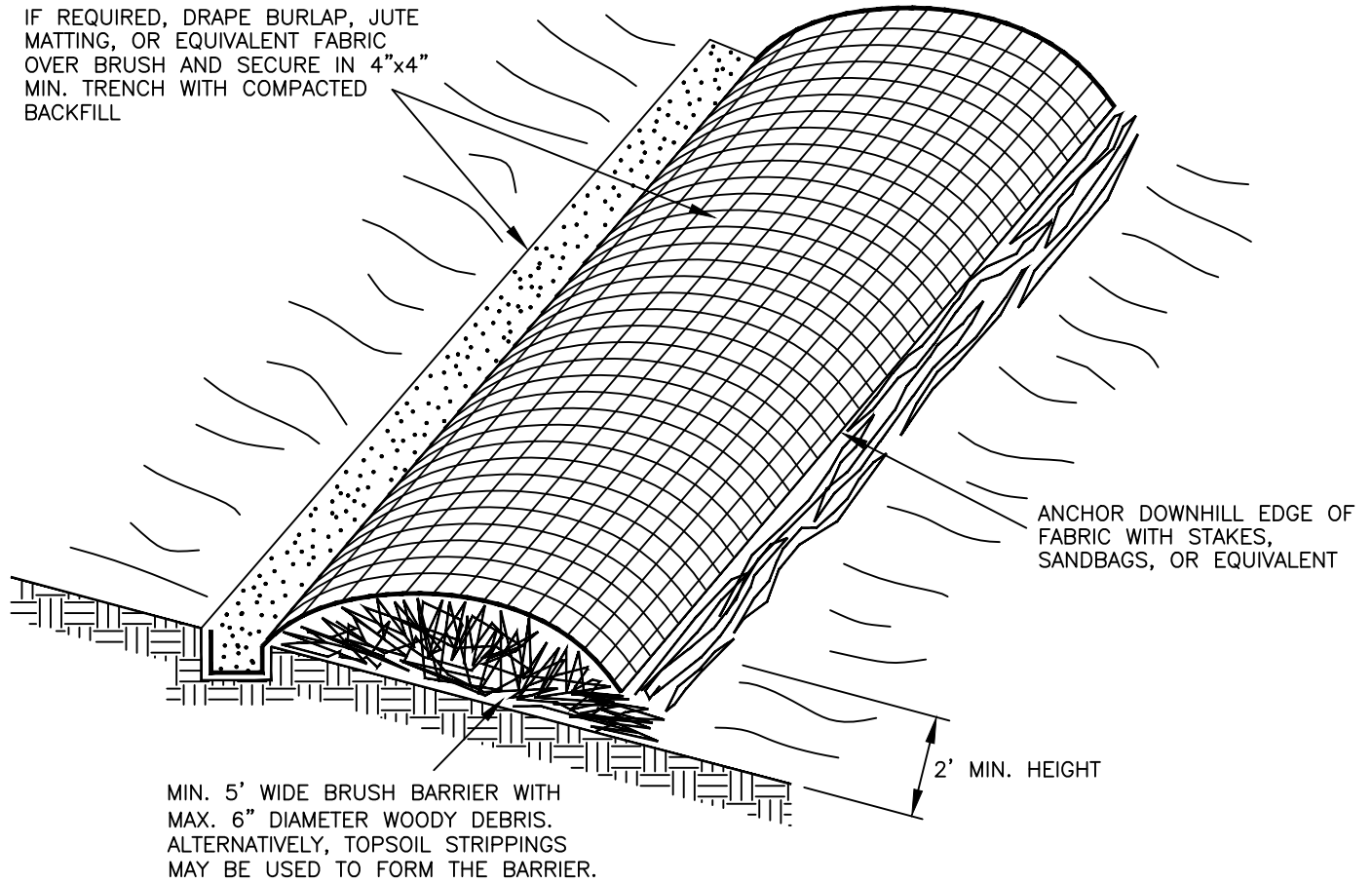
CITY OF VANCOUVER  
DEPARTMENT OF PUBLIC WORKS  
SURFACE WATER MANAGEMENT

| DRAWN BY | APPROVED BY | APPROVAL DATE |
|----------|-------------|---------------|
| MDH      | AR          | 02-2024       |
| REVISION | APPROVED BY | APPROVAL DATE |
| -        | -           | -             |

EROSION  
DETAIL NO.

**E-2.20b**

IF REQUIRED, DRAPE BURLAP, JUTE MATTING, OR EQUIVALENT FABRIC OVER BRUSH AND SECURE IN 4"x4" MIN. TRENCH WITH COMPACTED BACKFILL



ANCHOR DOWNHILL EDGE OF FABRIC WITH STAKES, SANDBAGS, OR EQUIVALENT

2' MIN. HEIGHT

MIN. 5' WIDE BRUSH BARRIER WITH MAX. 6" DIAMETER WOODY DEBRIS. ALTERNATIVELY, TOPSOIL STRIPPINGS MAY BE USED TO FORM THE BARRIER.

N.T.S.



**BRUSH BARRIER**

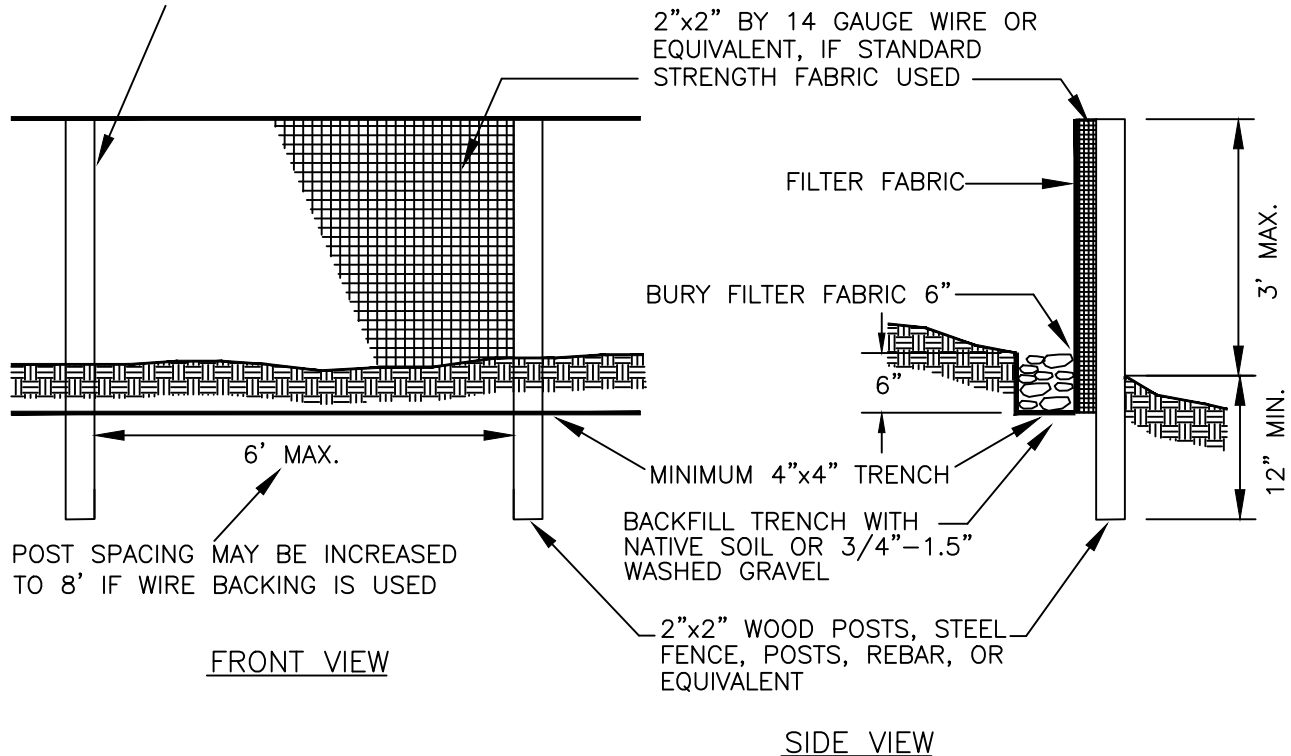
CITY OF VANCOUVER  
DEPARTMENT OF PUBLIC WORKS  
SURFACE WATER MANAGEMENT

|          |             |               |
|----------|-------------|---------------|
| DRAWN BY | APPROVED BY | APPROVAL DATE |
| MDH      | AR          | 02-2024       |
| REVISION | APPROVED BY | APPROVAL DATE |
| -        | -           | -             |

EROSION  
DETAIL NO.

**E-2.31**

JOINTS IN FILTER FABRIC SHALL BE SPLICED AT POSTS. USE STAPLES, WIRE RINGS, SEWN IN POCKETS OR EQUIVALENT TO ATTACH FABRIC TO POSTS.



NOTE: FILTER FABRIC FENCES SHALL BE INSTALLED ALONG CONTOUR WHENEVER POSSIBLE

MAINTENANCE STANDARDS: ANY DAMAGE SHALL BE REPAIRED IMMEDIATELY

1. SILT FENCES AND FILTER BARRIERS SHALL BE INSPECTED IMMEDIATELY AFTER EACH RAINFALL AND AT LEAST DAILY DURING PROLONGED RAINFALL. ANY REQUIRED REPAIRS SHALL BE MADE IMMEDIATELY.
2. IF CONCENTRATED FLOWS ARE EVIDENT UPHILL OF THE FENCE, THEY MUST BE INTERCEPTED AND CONVEYED TO A SEDIMENT POND.
3. IT IS IMPORTANT TO CHECK THE UPHILL SIDE OF THE FENCE FOR SIGNS OF THE FENCE CLOGGING AND ACTING AS A BARRIER TO FLOW AND THEN CAUSING CHANNELIZATION OF FLOWS PARALLEL TO THE FENCE. IF THIS OCCURS, REPLACE THE FENCE OR REMOVE THE TRAPPED SEDIMENT.
4. SEDIMENT DEPOSITS SHALL EITHER BE REMOVED WHEN THE DEPOSIT REACHES APPROXIMATELY ONE-THIRD THE HEIGHT OF THE SILT FENCE, OR A SECOND SILT FENCE SHALL BE INSTALLED.
5. IF THE FILTER FABRIC (GEOTEXTILE) HAS DETERIORATED DUE TO ULTRAVIOLET BREAKDOWN, IT SHALL BE REPLACED.

N.T.S.



**SILT FENCE**

CITY OF VANCOUVER  
DEPARTMENT OF PUBLIC WORKS  
SURFACE WATER MANAGEMENT

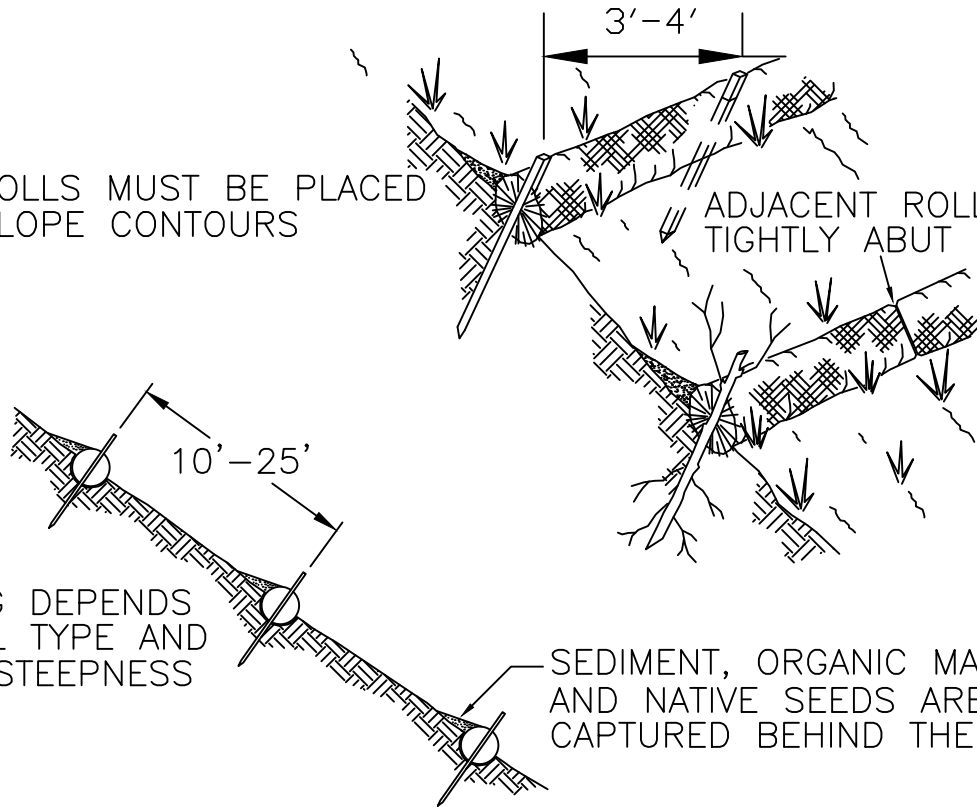
| DRAWN BY | APPROVED BY | APPROVAL DATE |
|----------|-------------|---------------|
| MDH      | AR          | 02-2024       |
| REVISION | APPROVED BY | APPROVAL DATE |
| -        | -           | -             |

EROSION  
DETAIL NO.

**E-2.33**

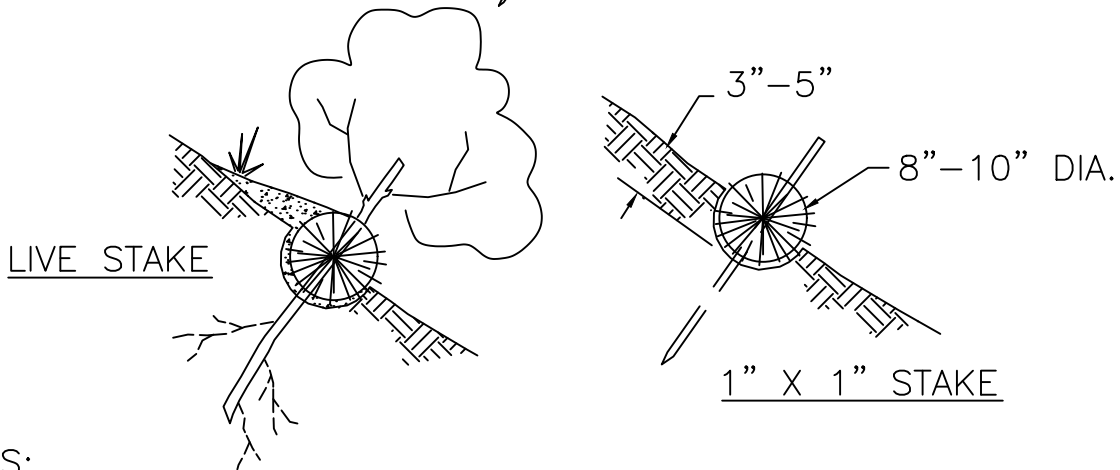
STRAW ROLLS MUST BE PLACED ALONG SLOPE CONTOURS

ADJACENT ROLLS SHALL TIGHTLY ABUT



SPACING DEPENDS ON SOIL TYPE AND SLOPE STEEPNESS

SEDIMENT, ORGANIC MATTER, AND NATIVE SEEDS ARE CAPTURED BEHIND THE ROLLS.



**NOTES:**

STRAW ROLL INSTALLATION REQUIRES THE PLACEMENT AND SECURE STAKING OF THE ROLL IN A TRENCH, 3"–5" DEEP, DUG ON CONTOUR. RUNOFF MUST NOT BE ALLOWED TO RUN UNDER OR AROUND ROLL.

N.T.S.



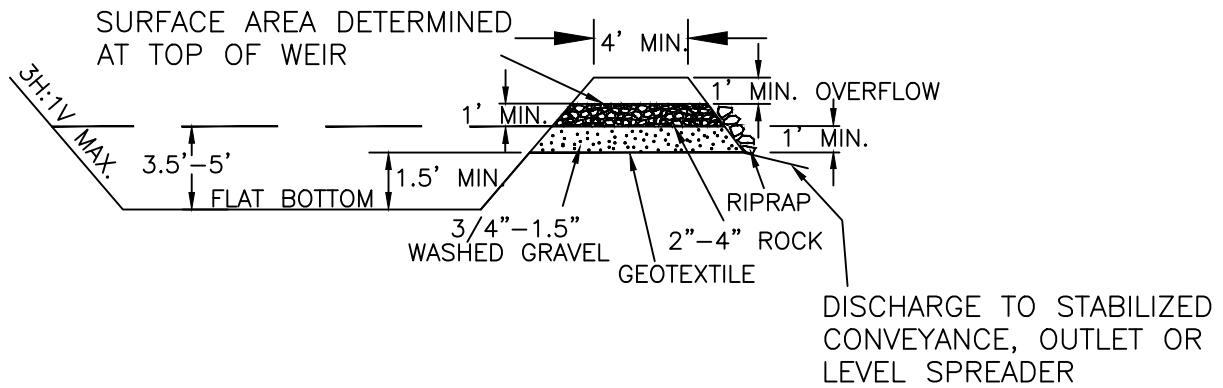
**STRAW WATTLES**

CITY OF VANCOUVER  
DEPARTMENT OF PUBLIC WORKS  
SURFACE WATER MANAGEMENT

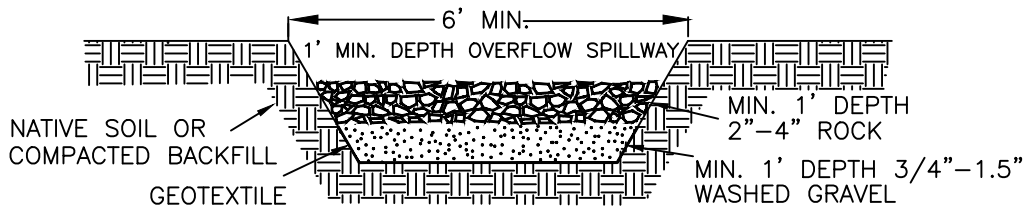
|          |             |               |
|----------|-------------|---------------|
| DRAWN BY | APPROVED BY | APPROVAL DATE |
| MDH      | AR          | 02-2024       |
| REVISION | APPROVED BY | APPROVAL DATE |
| -        | -           | -             |

EROSION  
DETAIL NO.

**E-2.35**



NOTE: TRAP MAY BE FORMED BY BERM OR BY PARTIAL OR COMPLETE EXCAVATION



NOTES:

1. SEDIMENT TRAP MAY BE CONSTRUCTED BY EXCAVATION OR BY BUILDING A BERM.
2. OUTFLOW CHANNEL SHALL BE CONSTRUCTED BY EXCAVATION.
3. SEDIMENT TRAPS SHALL BE LIMITED TO LESS THAN 1 ACRE. FOR ANY SITE GREATER THAN 1 ACRE, SEE SEDIMENT BASIN.
4. SEDIMENT SHALL BE REMOVED BEFORE 1 FOOT ACCUMULATES.

N.T.S.



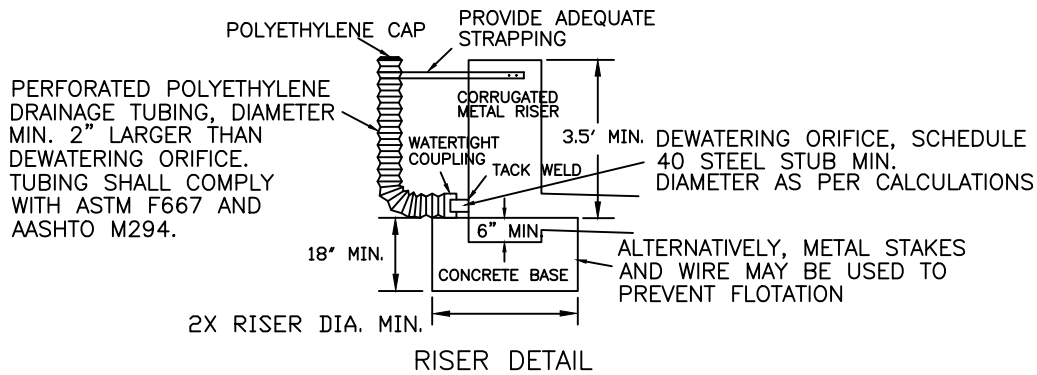
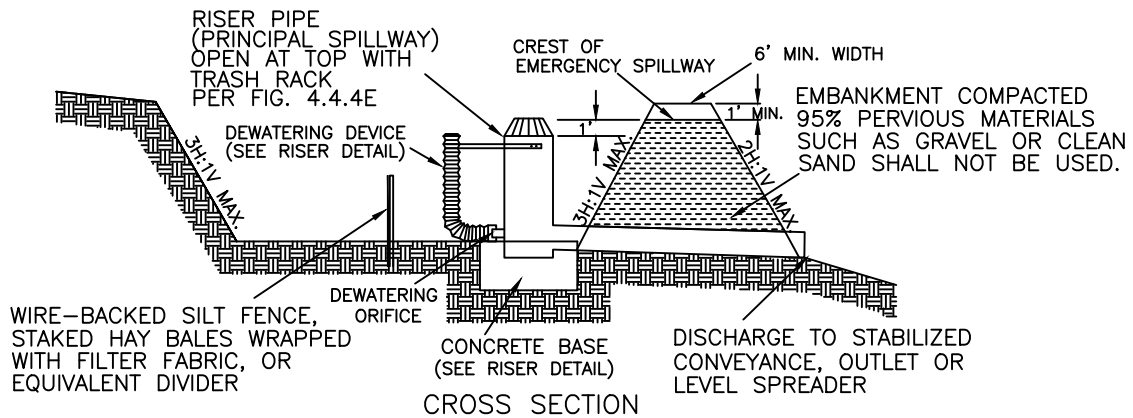
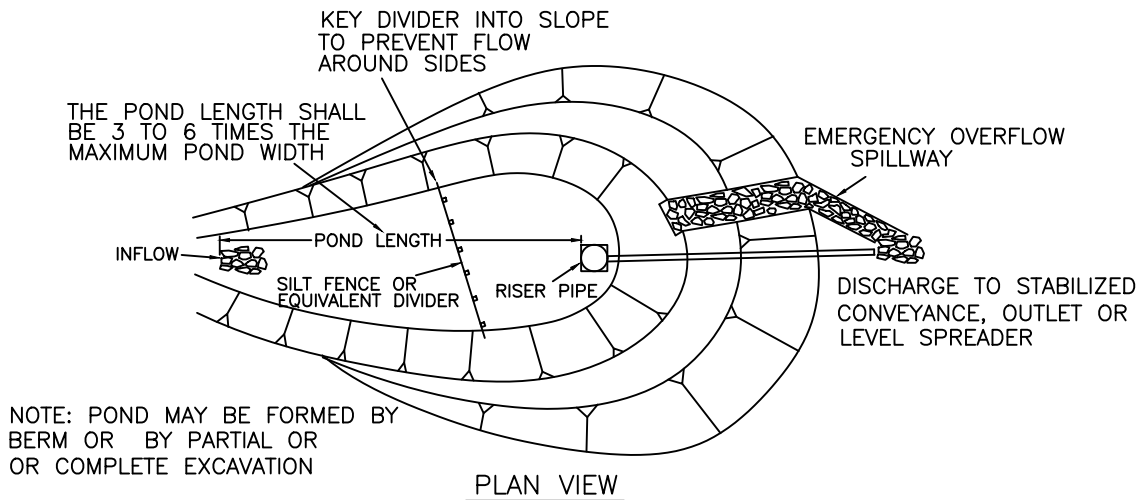
**SEDIMENT TRAP**

CITY OF VANCOUVER  
DEPARTMENT OF PUBLIC WORKS  
SURFACE WATER MANAGEMENT

| DRAWN BY | APPROVED BY | APPROVAL DATE |
|----------|-------------|---------------|
| MDH      | AR          | 02-2024       |
| REVISION | APPROVED BY | APPROVAL DATE |
| -        | -           | -             |

EROSION  
DETAIL NO.

**E-2.40**



**NOTES:**

1. STRUCTURES HAVING A MAXIMUM STORAGE CAPACITY AT THE TOP OF THE DAM OF 10 ACRE-FT (435,600 FT<sup>3</sup>) OR MORE ARE SUBJECT TO THE WASHINGTON DAM SAFETY REGULATIONS (CHAPTER 173-175 WAC).
2. GRADE BOTTOM OF BASIN AS LEVEL AS POSSIBLE.
3. SPILLWAY SHALL BE LINED WITH 2"-4" ROCKS.
4. ALL INLETS AND OUTLETS SHALL BE PROTECTED WITH RIPRAP.
5. IF THE POND POSES A SAFETY HAZARD, IT SHALL BE FENCED.
6. REMOVE SEDIMENT BEFORE 1-FOOT ACCUMULATES.

N.T.S.



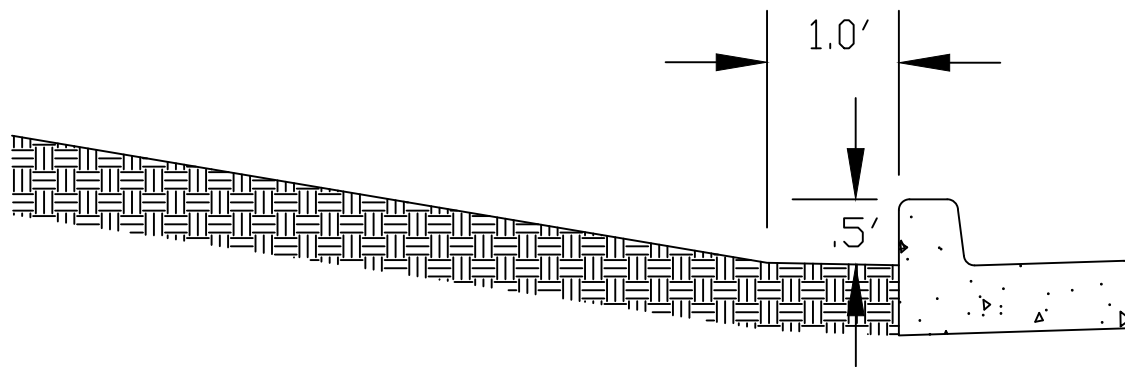
**SEDIMENT POND**

CITY OF VANCOUVER  
DEPARTMENT OF PUBLIC WORKS  
SURFACE WATER MANAGEMENT

| DRAWN BY | APPROVED BY | APPROVAL DATE |
|----------|-------------|---------------|
| MDH      | AR          | 02-2024       |
| REVISION | APPROVED BY | APPROVAL DATE |
| -        | -           | -             |

EROSION  
DETAIL NO.

**E-2.41**



N.T.S.



**SILTATION TRENCH BEHIND CURB**

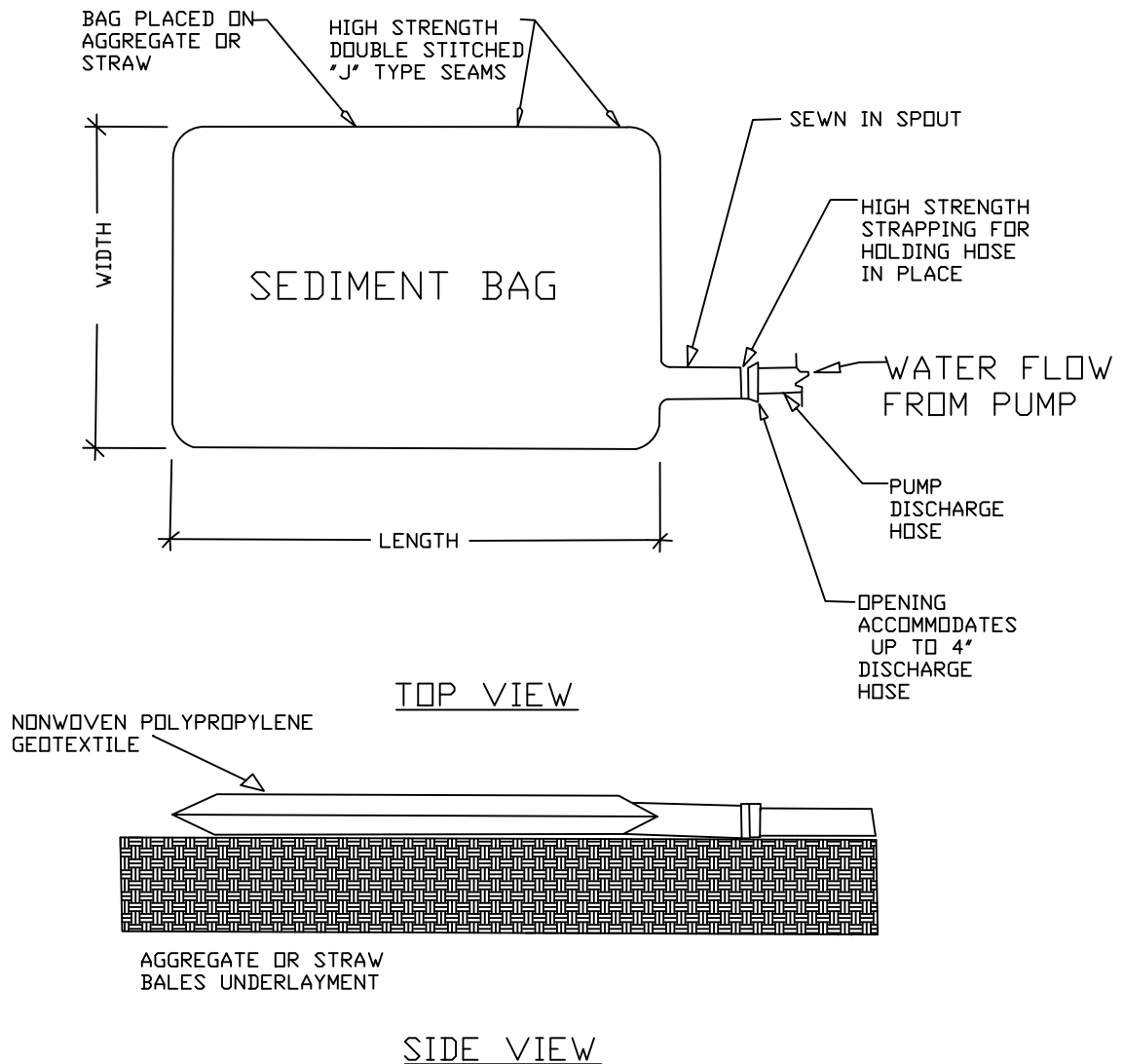
CITY OF VANCOUVER  
DEPARTMENT OF PUBLIC WORKS  
SURFACE WATER MANAGEMENT

| DRAWN BY | APPROVED BY | APPROVAL DATE |
|----------|-------------|---------------|
| MDH      | AR          | 02-2024       |
| REVISION | APPROVED BY | APPROVAL DATE |
| -        | -           | -             |

EROSION  
DETAIL NO.

**E-2.45**






NOTES:

1. INSTALL THE BAG ON A SLIGHT SLOPE SO INCOMING WATER FLOWS DOWNHILL THROUGH BAG. PLACE THE BAG ON AN AGGREGATE OR STRAW BALE BED TO MAXIMIZE WATER FLOW THROUGH THE SURFACE AREA OF THE BAG. STRAP THE NECK OF BAG TIGHTLY TO THE DISCHARGE HOSE.
2. FLOW RATES WILL VARY DEPENDING ON THE SIZE OF BAG, TYPE AND AMOUNT OF SEDIMENT DISCHARGED INTO BAG, THE SURFACE UNDER THE BAG AND THE DEGREE OF SLOPE THE BAG IS INSTALLED ON. CARE SHOULD BE TAKEN TO PROPERLY MONITOR PERFORMANCE TO ENSURE THAT PUMP RATES OR CONCENTRATIONS OF SEDIMENT ARE NOT EXCESSIVE. FAILURE TO DO SO MAY CAUSE BAG TO RUPTURE OR HOSE ATTACHMENT STRAPS TO FAIL.
3. FILTERED WATER MAY BE INFILTRATED INTO GROUND. FOLLOW APPROPRIATE EROSION PREVENTION BMPS FOR FILTERED WATER DISCHARGES.
4. BAGS SHALL BE MADE FROM NONWOVEN POLYPROPYLENE GEOTEXTILE.

N.T.S.

|  |   |                          |               |  |                  |
|--|---|--------------------------|---------------|--|------------------|
|  <p><b>CITY OF Vancouver</b><br/>WASHINGTON</p> | <b>SEDIMENT BAG</b>   |                          |               | EROSION<br>DETAIL NO.<br><b>E-2.46</b> |                  |
|  | CITY OF VANCOUVER<br>DEPARTMENT OF PUBLIC WORKS<br>SURFACE WATER MANAGEMENT |                          |               |  | DRAWN BY<br>MDH  |
|  | APPROVED BY<br>AR   | APPROVAL DATE<br>02-2024 | REVISION<br>- |  | APPROVED BY<br>- |